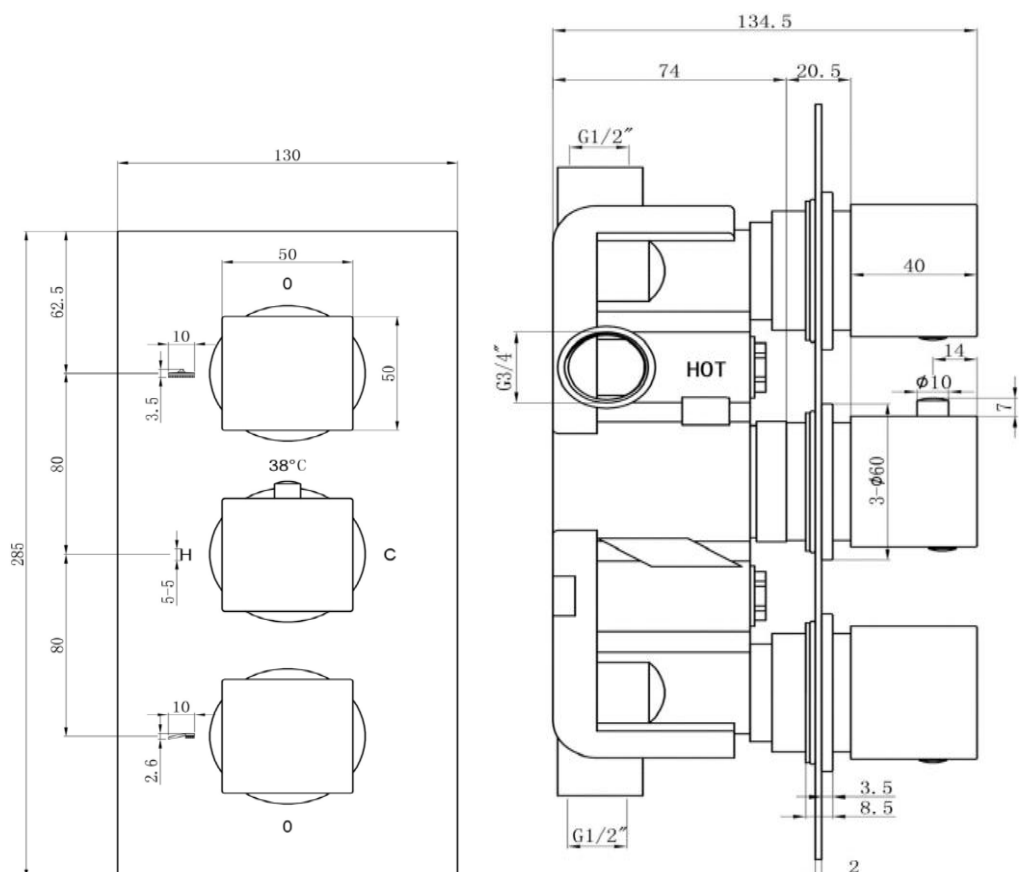


Technical Data Information

Product Code:	ASOR700
Information:	Sorento Square Triple Concealed Thermostatic Shower Valve
Construction	Brass Body (CuZn38b18)
Finishes	Black Matt
Product Type	Contemporary
Water Pressure	Min.0.5 bar, Max. 7.0 bar
Plumbing Systems	Suitable for all plumbing systems, preferably balanced.Min. supply pressure differential requirement is 5:1
Standards	Complies with BSEN 1111
Certification	TMV2 and WRAS certificated
Cartridge	Thermostatic
Fitting	Inlet: 3/4" Female Outlet: 1/2" Female
Packaging	46x25x32cm / carton (4pcs/carton)
Guarantee	10 years (3 year on working parts/decorative finish)
Additional Information	1. Temperature: Pre-set 38°C, with push button override to 48°C. 2. Automatic shut off in the event of hot or cold water supply failure. 3. Easy accessible checkk valve



All Dimensions are in millimetres. The information contained on this page was correct at date of issue. Fitting dimensions are provided as a guide only. Some variation may occur due to manufacturing tolerances. We pursue a policy of continuing improvement in design and performance of our products and so reserve the right to change specifications without prior notice.