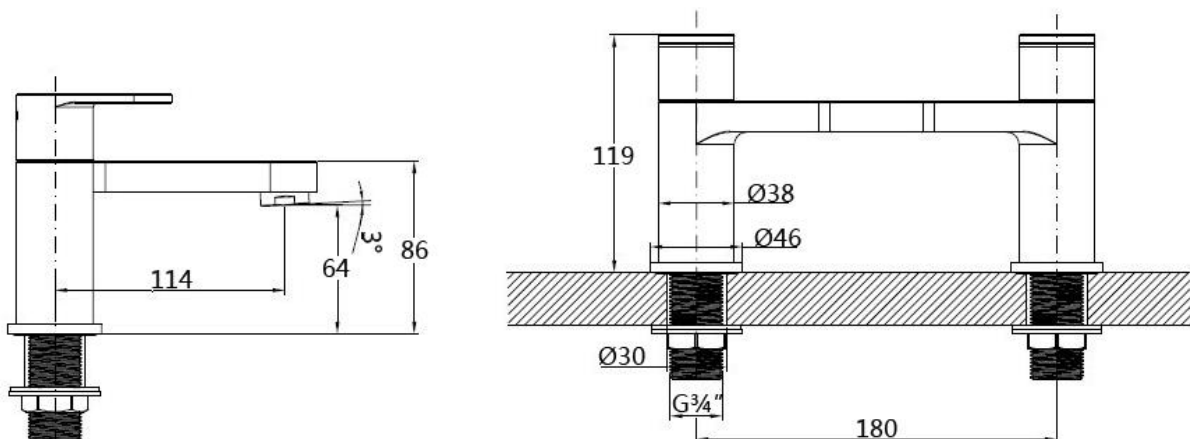


## Technical Data Information

<b>Product Code:</b>	AVP03
<b>Information:</b>	Series P Deck Mounted Bath Filler
<b>Construction</b>	Brass Body CuZn40Pb2, EN CW617N (equivalent to BS CZ122)
<b>Finishes</b>	Chrome plated to BS EN 248
<b>Product Type</b>	Contemporary
<b>Water Pressure</b>	Min. 0.2 bar, Max. 6.0 bar
<b>Plumbing Systems</b>	Suitable for all plumbing systems
<b>Standards</b>	Complies with BS5412, BS EN200
<b>Certification</b>	Manufactured to comply with WRAS
<b>Cartridge</b>	1/4 Turn 3/4" Ceramic Disc Valves
<b>Aerator</b>	Laminar
<b>Fitting</b>	Brass 3/4" BSP tails
<b>Packaging</b>	50x30x38cm/Carton (4pcs), Box size: 29.5x18.5x24.5cm, Weight: 2.25kg
<b>Guarantee</b>	10 years against manufacturing faults (excluding serviceable parts).

**Overall Dimensions:** H: 119 x D: 135 x W: 180



All Dimensions are in millimetres. The information contained on this page was correct at date of issue. Fitting dimensions are provided as a guide only. Some variation may occur due to manufacturing tolerances. We pursue a policy of continuing improvement in design and performance of our products and so reserve the right to change specifications without prior notice.