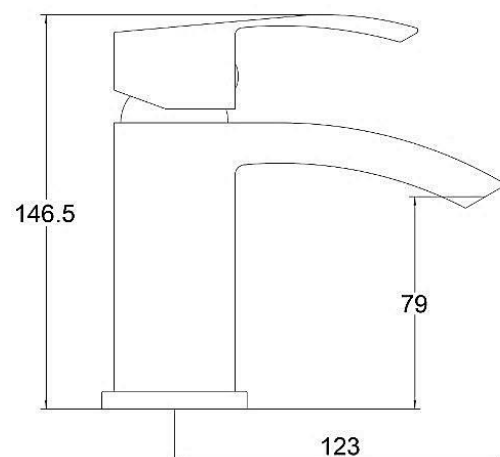


Technical Data Information

Product Code: AVSC05

Information:	Construction	Brass Body CuZn40Pb2, EN CW617N (equivalent to BS CZ122)
	Finishes	Chrome plated to BS EN 248
	Product Type	Contemporary
	Water Pressure	Min. 0.2 bar, Max. 6.0 bar
	Plumbing Systems	Suitable for all plumbing systems
	Standards	Complies with BS5412, BS EN200
	Certification	Manufactured to comply with WRAS
	Cartridge	35mm ceramic disc cartridge
	Net Weight (Tap only)	998g
	Fitting	UK: M12 x 350mm ½" BSP Female Flexi Tails .

Overall Dimensions: L: 140 x W: 50 x H: 146.5



All Dimensions are in millimetres. The information contained on this page was correct at date of issue. Fitting dimensions are provided as a guide only. Some variation may occur due to manufacturing tolerances. We pursue a policy of continuing improvement in design and performance of our products and so reserve the right to change specifications without prior notice.