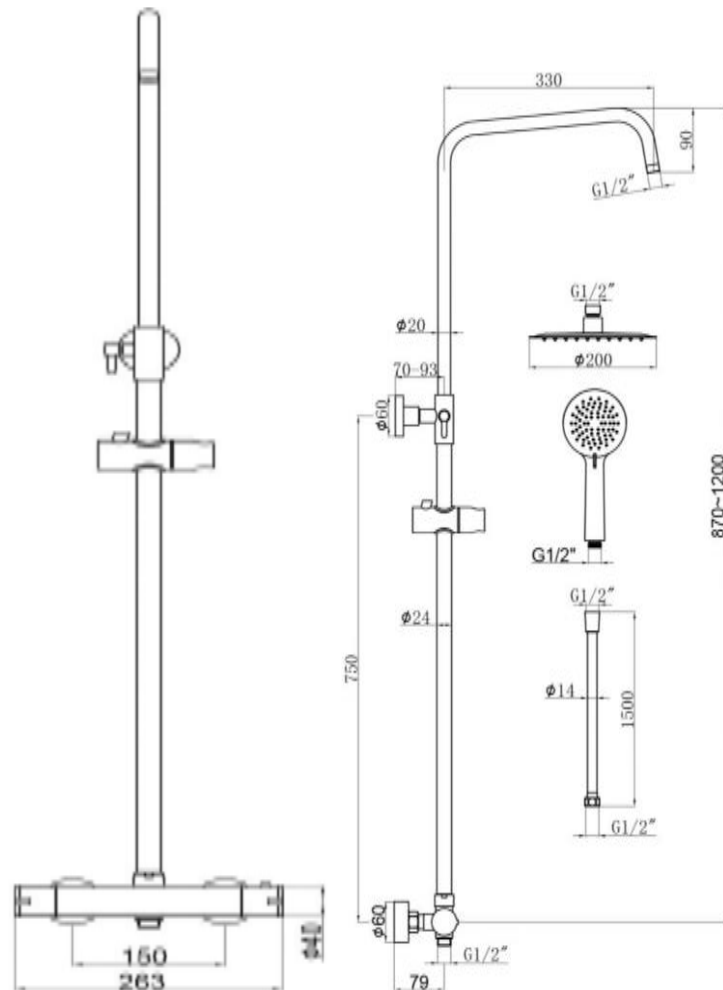


## Technical Data Information

<b>Product Code:</b>	AVSH104K
<b>Information:</b>	Sorento Round Shower with Rigid Riser
<b>Construction</b>	Brass Body (CuZn38Pb18)
<b>Finishes</b>	Black Matt
<b>Product Type</b>	Contemporary
<b>Water Pressure</b>	Min. 0.5 bar, Max. 6.0 bar
<b>Plumbing Systems</b>	Suitable for all plumbing systems, preferably balanced. Min. supply pressure differential requirement is 5:1
<b>Standards</b>	Complies with BSEN 1111
<b>Certification</b>	Manufactured to comply with WRAS, TMV2
<b>Cartridge</b>	Thermostatic
<b>Fitting</b>	Easy fit
<b>Packaging</b>	81.5 x 39.5 x 34cm / carton (4 boxes / carton)
<b>Guarantee</b>	10 years against manufacturing faults (excluding serviceable parts).
<b>Additional Information</b>	<ol style="list-style-type: none"> <li>1. Temperature: Pre-set 38°C, with push button override to 48°C.</li> <li>2. Automatic shut off in the event of hot or cold water supply failure.</li> <li>3. Shower head : ultra slim stainless steel 200mm</li> <li>4. Shower handset : Chrome , ABS, 3 mode</li> <li>5. Shower hose : 1.5M, stainless steel</li> <li>6. Stainless steel adjustable height riser rail</li> </ol>



All Dimensions are in millimetres. The information contained on this page was correct at date of issue. Fitting dimensions are provided as a guide only. Some variation may occur due to manufacturing tolerances. We pursue a policy of continuing improvement in design and performance of our products and so reserve the right to change specifications without prior notice.