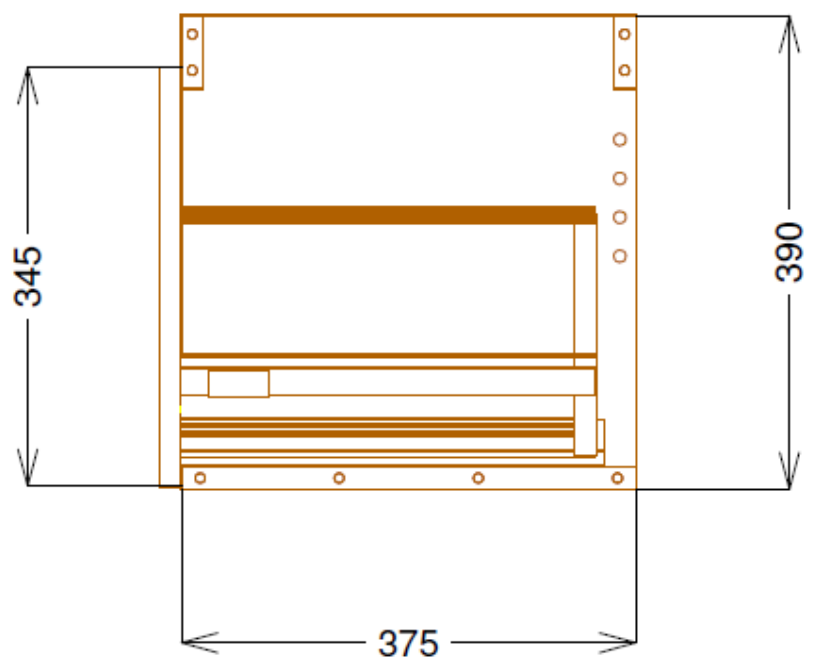
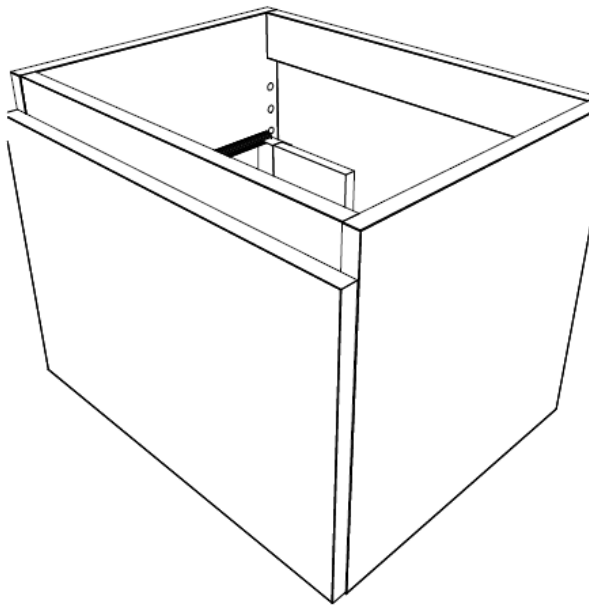


Technical Data Information

Product Code: K50BAR

Information: K50 – 500mm Wall Hung Unit Only

Overall Dimensions: H: 390mm x W: 500mm x D: 395mm



All Dimensions are in millimetres. The information contained on this page was correct at date of issue. Fitting dimensions are provided as a guide only. Some variation may occur due to manufacturing tolerances. We pursue a policy of continuing improvement in design and performance of our products and so reserve the right to change specifications without prior notice.