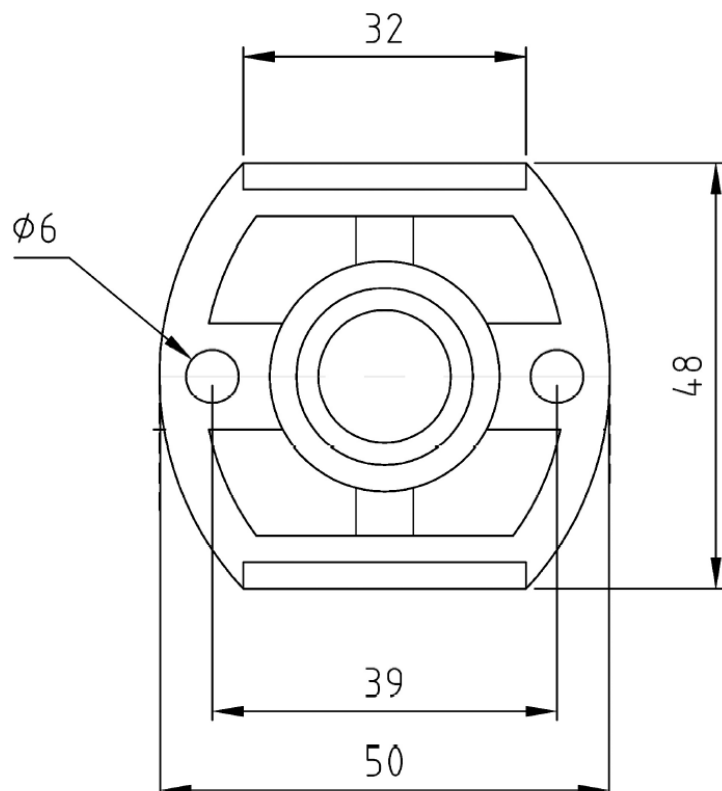


## Technical Data Information

**Product Code:** UA315

**Information:** Universal Bar Valve Fixing Kit  
**Product material:** Brass  
**Colour:** Chrome  
**Mount Type:** Surface, Wall  
**Pipe Size:** 15mm (1/2" Bsp)

**Dimensions:** H: 48 x W: 50 x D: 50



All Dimensions are in millimetres. The information contained on this page was correct at date of issue. Fitting dimensions are provided as a guide only. Some variation may occur due to manufacturing tolerances. We pursue a policy of continuing improvement in design and performance of our products and so reserve the right to change specifications without prior notice.