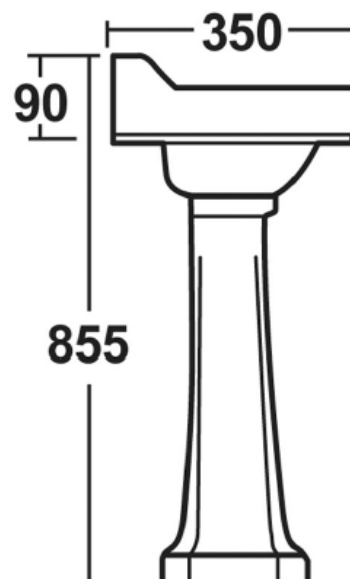
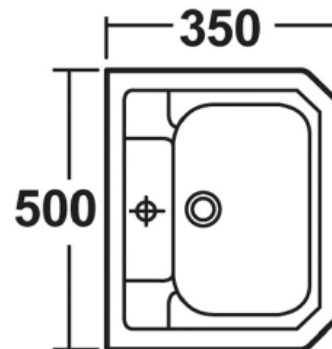


## Technical Data Information

<b>Product Code:</b>	UNCS885
<b>Information:</b>	Richmond 500mm Basin 2TH <b>Colour:</b> White <b>Material:</b> Vitreous China <b>Weight:</b> 14Kg <b>Overflow:</b> Yes <b>Overflow Cover:</b> Yes
<b>Overall Dimensions:</b>	H: 223 x D: 350 x W: 500



All Dimensions are in millimetres. The information contained on this page was correct at date of issue. Fitting dimensions are provided as a guide only. Some variation may occur due to manufacturing tolerances. We pursue a policy of continuing improvement in design and performance of our products and so reserve the right to change specifications without prior notice.