

TECHNICAL DATA SHEET

Lansdown SCT Slim Depth Basin ITH - DCI4045

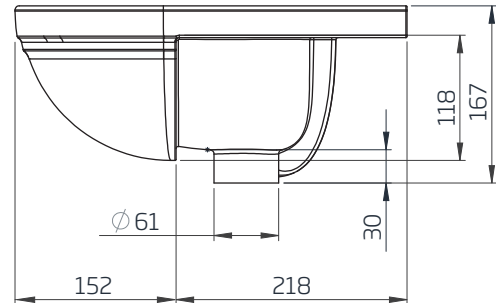
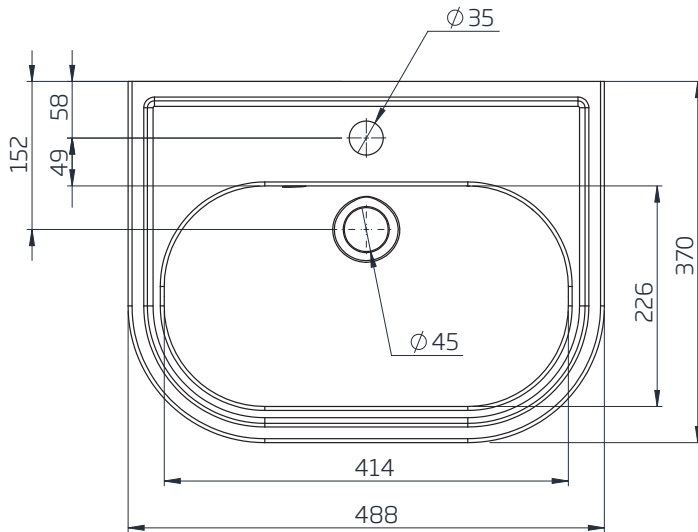
TAVISTOCK

NO.	Description	Product Code	Template included	Gross Weight
I	Semi Recess Basin - Slim Depth, ITH	DCI4045	YES	11KG



DIMENSIONS

DIAGRAMS NOT TO SCALE | ALL DIMENSIONS IN MM TOLERANCE OF ± 5MM
ALL PRODUCTS CONFORM TO BRITISH STANDARDS



*Dimensions are subject to change, customers are advised to measure actual product before commencing installation.

**Fixing point dimensions are for guidance only. The positions of fixings must be checked when product is received.

FAQs

Q - Is a fitting template supplied?

A - Yes : Questions on cutting dimensions can be found on the template.

Q - How is the basin fixed to the furniture?

A - Fix to workspace with silicone as per instructions supplied.

Note - Optional overflow cover supplied (round and grill type)

Key Dimensions Descriptions	Key Dimensions (mm)
Internal Bowl Depth	120mm
Internal Bowl Front to Back	226mm
Internal Bowl Left to Right	414mm
Tap Ledge	107mm
Taphole Centre to Waste Centre	94mm
Taphole Centre to Back of Basin	58mm
Waste Centre to Back of Basin	152mm
Height of Basin	167mm
Basin Overhang	152mm