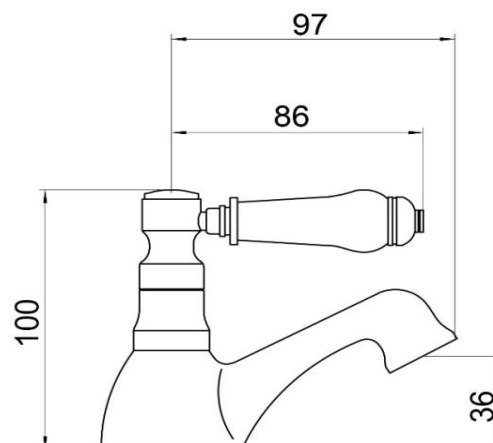
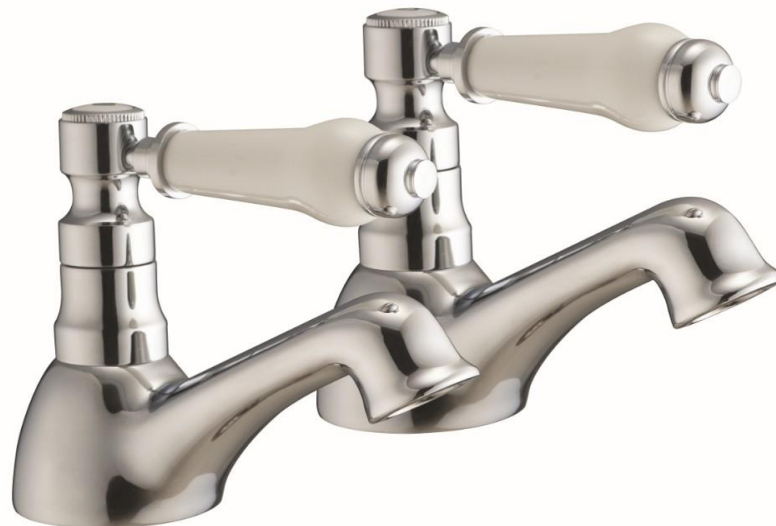


TECHNICAL DATA SHEET

TKYL01 Bath Taps

Barcode	7081247507944
Product Code	TKYL01
Construction	Brass Body (CuZn38Pb18) Zinc alloy Handle
Finishes	Chrome plated to BS EN 248
Product Type	Traditional
Water Pressure	Min.1.0 bar, Max. 6.0 bar
Plumbing Systems	Suitable for all plumbing systems
Standards	Complies with BS5412, BS EN200
Certification	-
Cartridge	1/4 Turn 1/2" Ceramic Disc Valves
Fitting	3/4" BSP Tail
Aerator	Laminar
Packaging	33.5 x 31 x 34.5cm / carton (10 boxes), Dimension: 29 x 16 x 6.5cm / box; Weight: 1.2Kg / box
Guarantee	10 years against manufacturing faults (excluding serviceable parts)



Flow Rates (Litres per minute)

System Pressure	0.1 Bar	0.2 Bar	0.3 Bar	0.5 Bar	1.0 Bar	1.5 Bar	2.0 Bar	3.0 Bar	4.0 Bar	5.0 Bar
TKYL01	-	1.80	-	5.80	10.00	13.10	16.50	21.20	-	-

The information contained on this page was correct at date of issue. Fitting dimensions are provided as a guide only. Some variation may occur due to manufacturing tolerances. We pursue a policy of continuing improvement in design and performance of our products and so reserve the right to change specifications without prior notice.