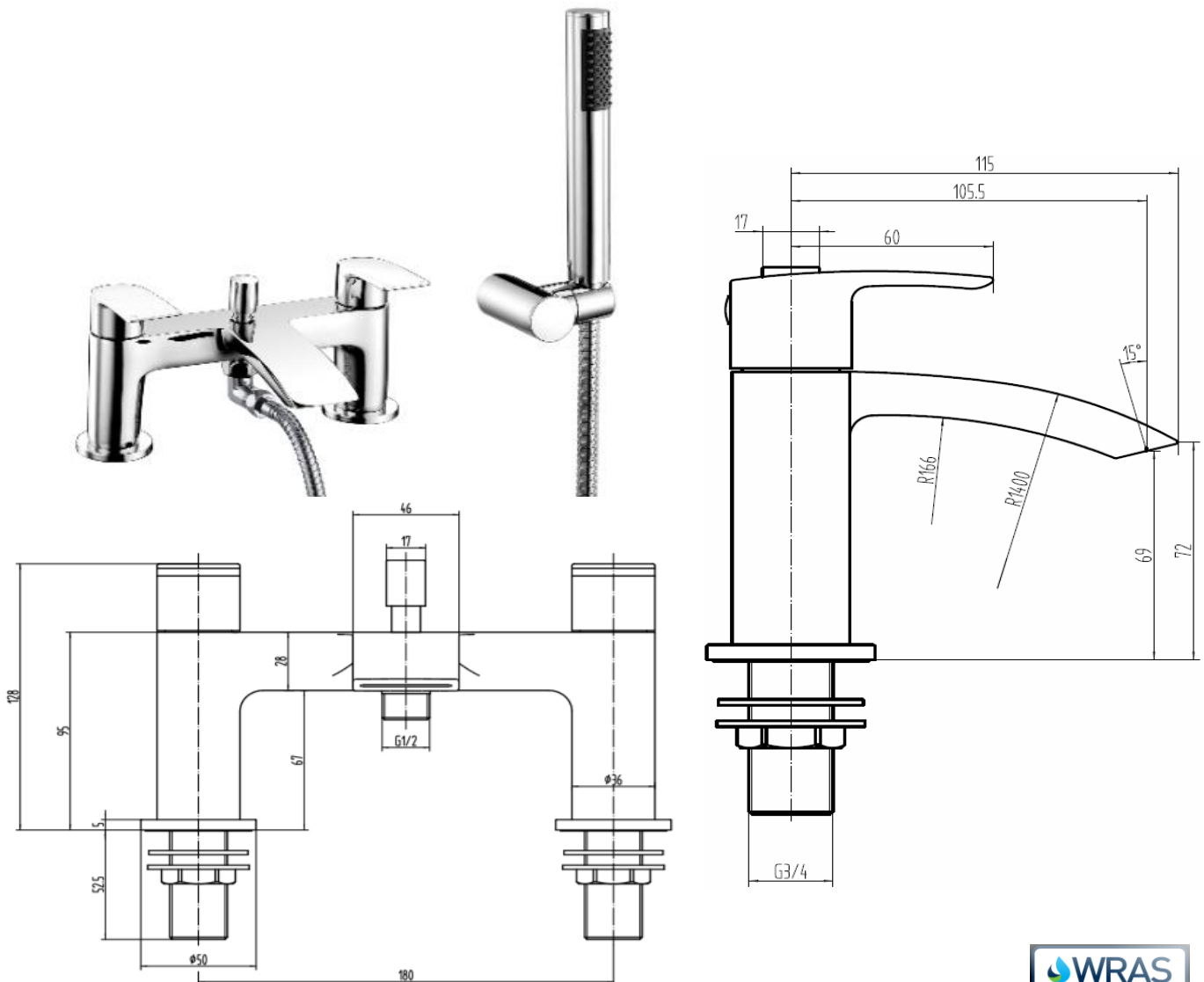


## TECHNICAL DATA SHEET

### TSHA04 Bath Shower Mixer (Inc. Shower Kits)

<b>Barcode</b>	729557187612
<b>Product Code</b>	TSHA04
<b>Construction</b>	Brass Body CuZn40Pb2, EN CW617N (equivalent to BS CZ122) Zinc alloy Handle
<b>Finishes</b>	Chrome plated to BS EN 248
<b>Product Type</b>	Contemporary
<b>Water Pressure</b>	Min. 0.2 bar, Max. 6.0 bar
<b>Plumbing Systems</b>	Suitable for all plumbing systems
<b>Standards</b>	Complies with BS5412, BS EN200
<b>Certification</b>	WRAS approved and certified (1903057)
<b>Cartridge</b>	1/4 Turn 3/4" Ceramic Disc Valves
<b>Net Weight (Tap only)</b>	1740g
<b>Aerator</b>	Laminar spout
<b>Fitting</b>	3/4" BSP Tail
<b>Packaging</b>	49.5 x 42 x 33cm / carton (8 boxes / carton), Box dimension : 24 X 20 X 15.5cm; Weight : 2.8Kg/box
<b>Guarantee</b>	10 years against manufacturing faults (excluding serviceable parts)
<b>Additional Information</b>	Supplied with stainless steel 1.5m hose, chrome ABS handset & holder



#### Flow Rates (Litres per minute)

System Pressure	0.1 Bar	0.2 Bar	0.3 Bar	0.5 Bar	1.0 Bar	1.5 Bar	2.0 Bar	3.0 Bar	4.0 Bar	5.0 Bar
<b>TSHA04</b>	9.5	11.2	-	16.1	21.9	26.3	30.2	36	-	-

The information contained on this page was correct at date of issue. Fitting dimensions are provided as a guide only. Some variation may occur due to manufacturing tolerances. We pursue a policy of continuing improvement in design and performance of our products and so reserve the right to change specifications without prior notice.