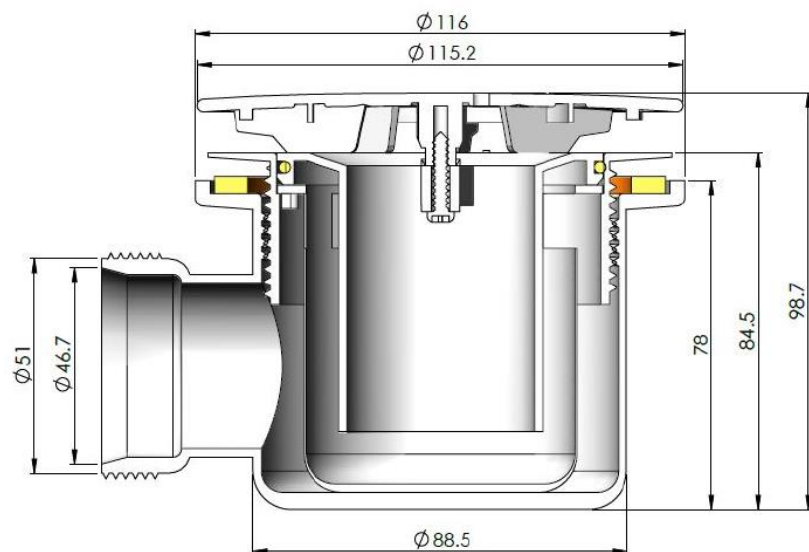


## Technical Data Information

**Product Code:** USTW002

**Information:** **Material:** PP  
**Color/Finish:** Black  
**Connection:** Size 1 1/2"  
**Product Diameter:** 115mm

**Overall Dimensions:** D: 780 x W: 115 x H: 78



All Dimensions are in millimetres. The information contained on this page was correct at date of issue. Fitting dimensions are provided as a guide only. Some variation may occur due to manufacturing tolerances. We pursue a policy of continuing improvement in design and performance of our products and so reserve the right to change specifications without prior notice.