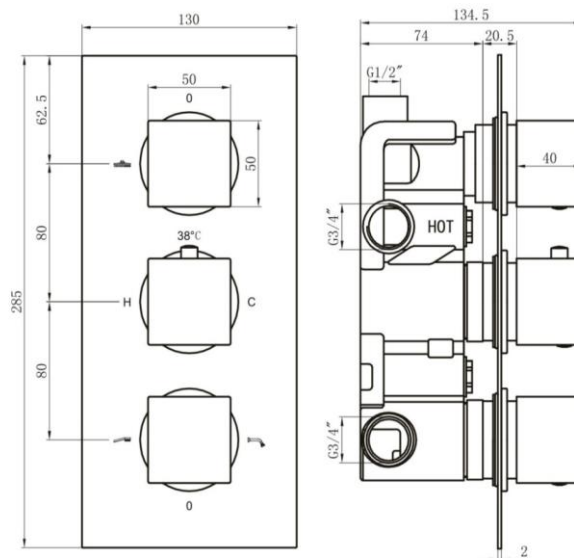
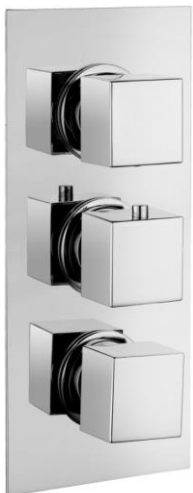
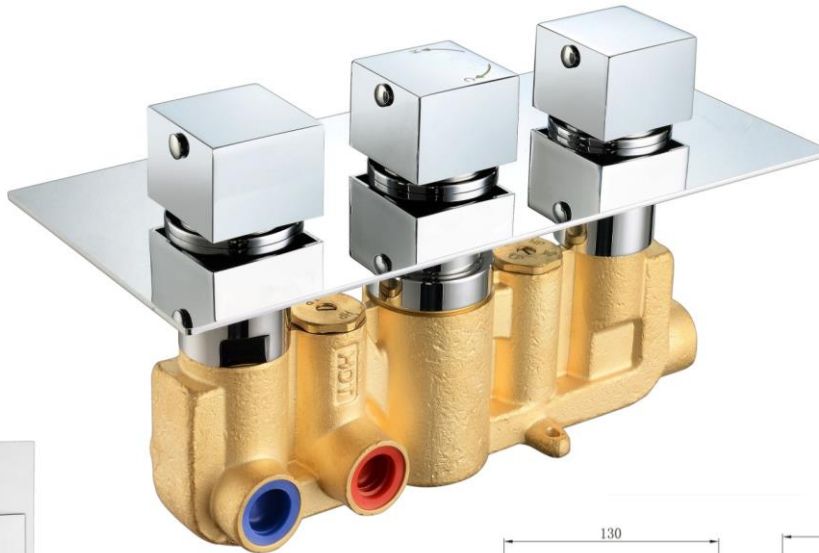


## TECHNICAL DATA SHEET

### VOI800 Outlet 3 Knobs Concealed Thermostatic Mixer Valve

<b>Barcode</b>	7081241308783
<b>Product Code</b>	VOI800
<b>Construction</b>	Brass Body (CuZn38b18)
<b>Finishes</b>	Chrome plated to BS EN 248
<b>Product Type</b>	Contemporary
<b>Water Pressure</b>	Min. 0.5 bar, Max. 7.0 bar
<b>Plumbing Systems</b>	Suitable for all plumbing systems, preferably balanced Min. supply pressure differential requirement is 5:1
<b>Standards</b>	Complies with BSEN 1111
<b>Certification</b>	WRAS (1801023) and TMV2 approved and certified
<b>Cartridge</b>	Thermostatic
<b>Fitting</b>	Inlet: 3/4" Female Outlet: One 1/2" Female and two 3/4" Female
<b>Packaging</b>	42 x 28.5 x 32cm / carton (4pcs/carton)
<b>Guarantee</b>	10 years against manufacturing faults (excluding serviceable parts)
<b>Additional Information</b>	1. Temperature: Pre-set 38°C, with push button override to 48°C 2. Automatic shut off in the event of hot or cold water supply failure 3. Easy accessible check valve



#### Flow Rates (Litres per minute)

System Pressure	0.1 Bar	0.2 Bar	0.3 Bar	0.5 Bar	1.0 Bar	1.5 Bar	2.0 Bar	3.0 Bar	4.0 Bar	5.0 Bar
<b>VOI800</b>	-	7.5	-	10.7	15.0	18.5	21.5	27.0	-	-

The information contained on this page was correct at date of issue. Fitting dimensions are provided as a guide only. Some variation may occur due to manufacturing tolerances. We pursue a policy of continuing improvement in design and performance of our products and so reserve the right to change specifications without prior notice.