

# R.T. LARGE

ESTABLISHED 1969



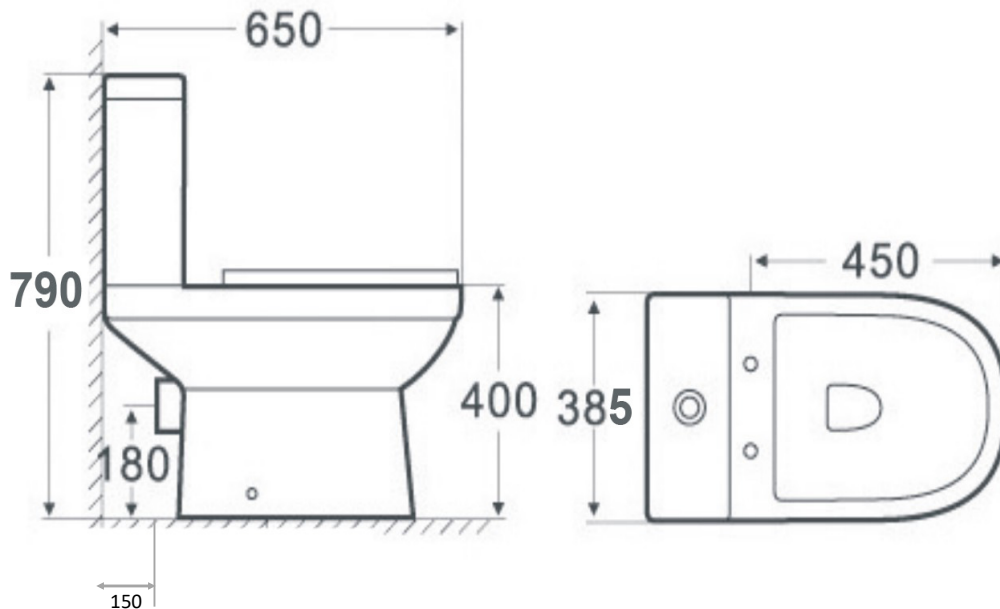
## RADA CC Pan and Cistern

**Product Code:**

CRADPAN & CRADTAN

**Features:**

W: 385 x D: 650 x H: 790



All Dimensions in mm  
Drawings not to scale