

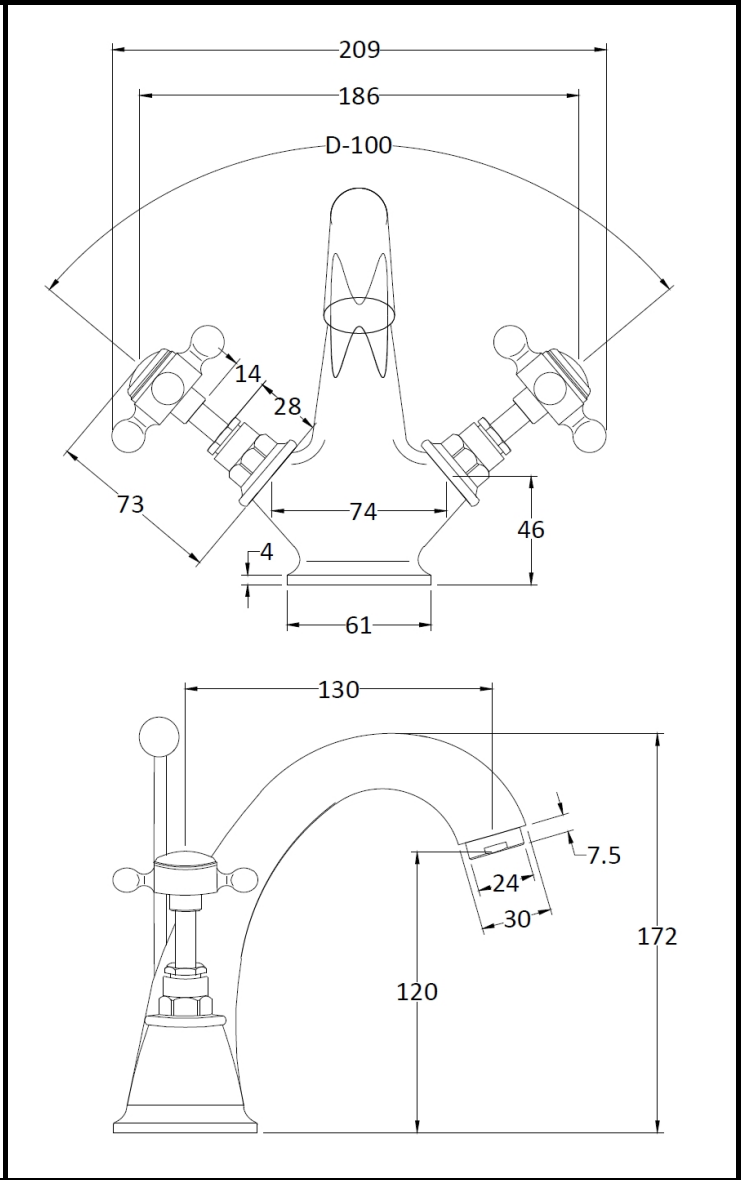
# B A Y S W A T E R

London W.2

**CODE:** BAYT105

**DESCRIPTION:** Mono Basin Mixer/Xhead/Hex Collar

**CATEGORY:** Taps



| PRODUCT DIMENSIONS |            |            |             |             |
|--------------------|------------|------------|-------------|-------------|
| Height (mm)        | Width (mm) | Depth (mm) | Length (mm) | Nett Wgt Kg |
| 176                | 214        | 185        |             | 2.5         |

| PACKAGING DIMENSIONS |            |            |              |
|----------------------|------------|------------|--------------|
| Height (mm)          | Width (mm) | Depth (mm) | Gross Wgt Kg |
| 390                  | 215        | 120        | 2.5          |

| PACKAGING DATA |                     |              |             |
|----------------|---------------------|--------------|-------------|
| Box Colour     | White Cardboard Box |              |             |
| Box Qty        | 1                   | Label Colour | White Label |
| Label Size     | 100 x 50            | Label Qty    | 2           |

| OUTER BOX DIMENSIONS (If Applicable) |               |            |             |              |
|--------------------------------------|---------------|------------|-------------|--------------|
| Height (mm)                          | Width (mm)    | Depth (mm) | Length (mm) | Gross Wgt Kg |
| 395                                  | 415           | 440        |             | 15           |
| Barcode                              | 5055275889046 |            |             |              |

| PRODUCT DETAILS          |                       |
|--------------------------|-----------------------|
| Country of Origin        | United Kingdom        |
| Fitting Instruction      | Yes                   |
| Product Material         | Brass                 |
| Control Type             | Manual                |
| Waste Included           | Waste Included        |
| WRAS Approval            | No Approval No. N/A   |
| Operating Pressure (bar) | 0.1                   |
| Valve/Cartridge Type     | 1/4 Turn Ceramic Disc |

|                    |  |
|--------------------|--|
| Colour/Finish      | Chrome   |
| Mount Type         | Deck   |
| Waste Type         | Pop-Up   |
| Flow Rates (L/min) | 0.1   6.4   0.5   1   23.4   2   33.5   3   41 |
| Pipe Size          | 15 mm (1/2" Bsp)                               |
| Pipe Centres       | N/A  |