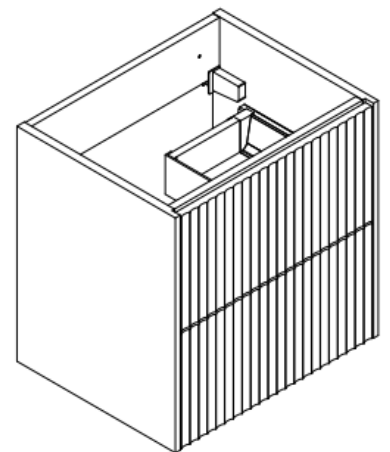
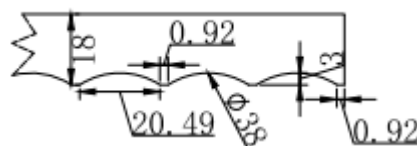
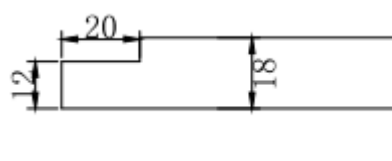
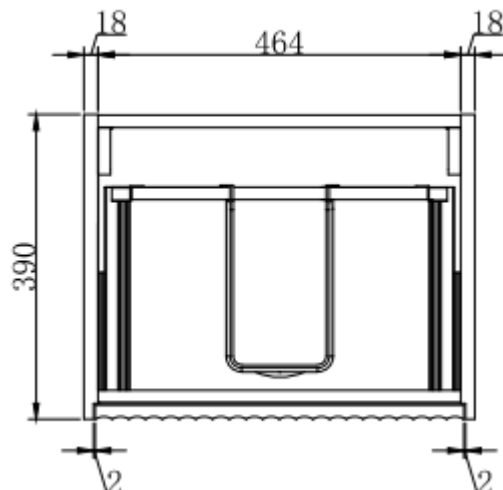
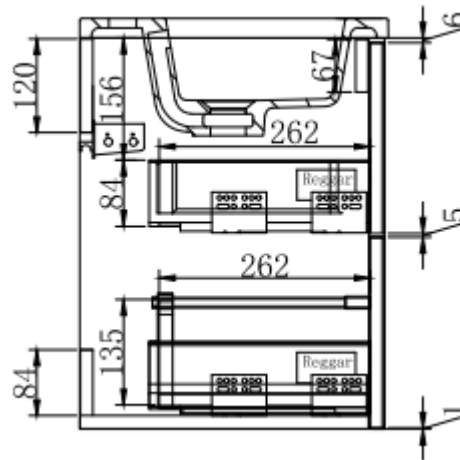
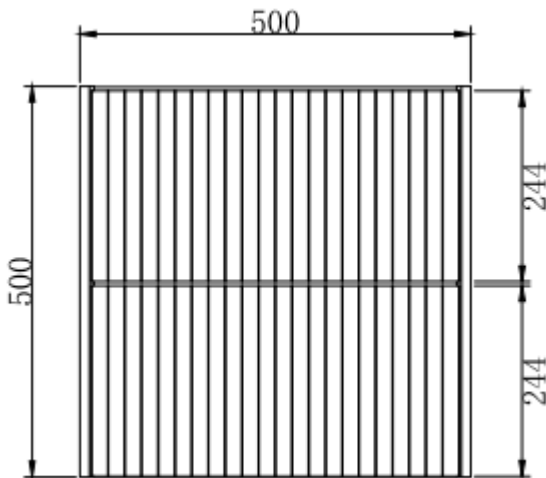


Technical Data Information

Product Code: AVA50WHXXX

Information: Avara 500mm Wall Hung Unit
Available in Matt Anthracite, Matt Sage Green & Matt White
Soft-Close Drawers

Unit Dimensions: H: 500mm x W: 500mm x D: 390mm



All Dimensions are in millimetres. The information contained on this page was correct at date of issue. Fitting dimensions are provided as a guide only. Some variation may occur due to manufacturing tolerances. We pursue a policy of continuing improvement in design and performance of our products and so reserve the right to change specifications without prior notice.