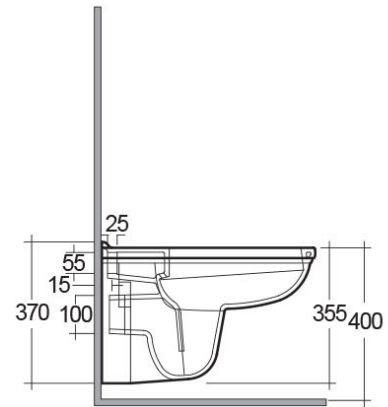
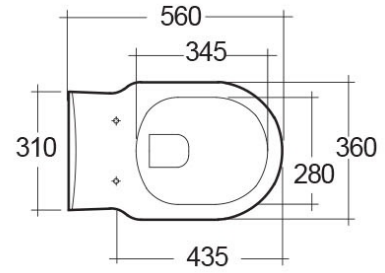


# RAK-WASHINGTON

## Wall Hung | Water Closet

**RAK**  
CERAMICS



### Technical specifications

Dimensions: 560 x 360 mm

Weight: 18 Kg

Color: Alpine White

Trap type: P Trap

Trapway type: Concealed

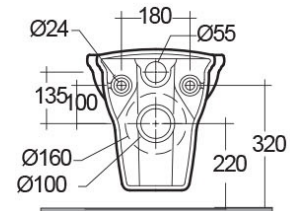
Seat cover options: Urea

Bowl shape: Oval

Soft close: yes

Dual flush: yes

Suites: [RAK-WASHINGTON](#)



Code	Name
------	------

WASWHPAN-R	WASHINGTON WATER CLOSET RIMLESS WALL HUNG 56CM
------------	--

Dimensions: All dimensions in mm tolerance  $\pm 5\%$  for below 200mm and  $\pm 3\%$  for above 200mm.

Note: Due to a continuing development programme to improve design and performance, the manufacturer reserves all rights to vary specifications without prior information.

Please note accessories are for photographic use only.