

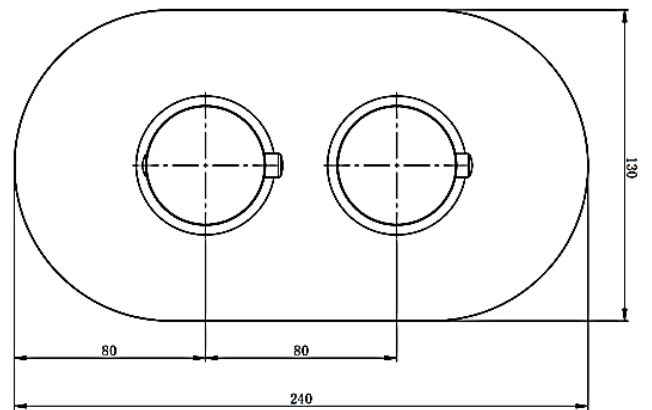
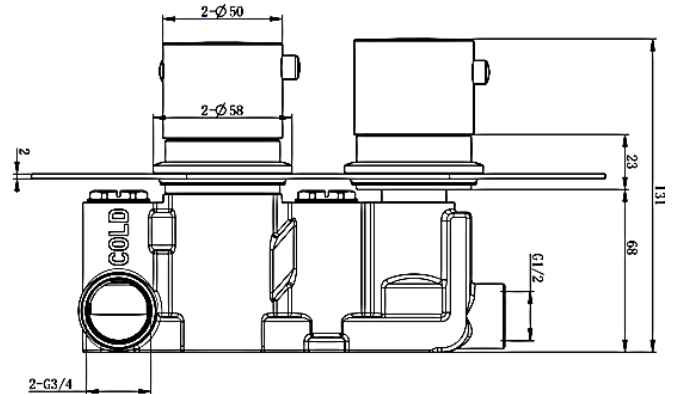
Technical Data Information

Round Black Twin Single Outlet
AVCVQ01K



R.T. LARGE

ESTABLISHED 1969



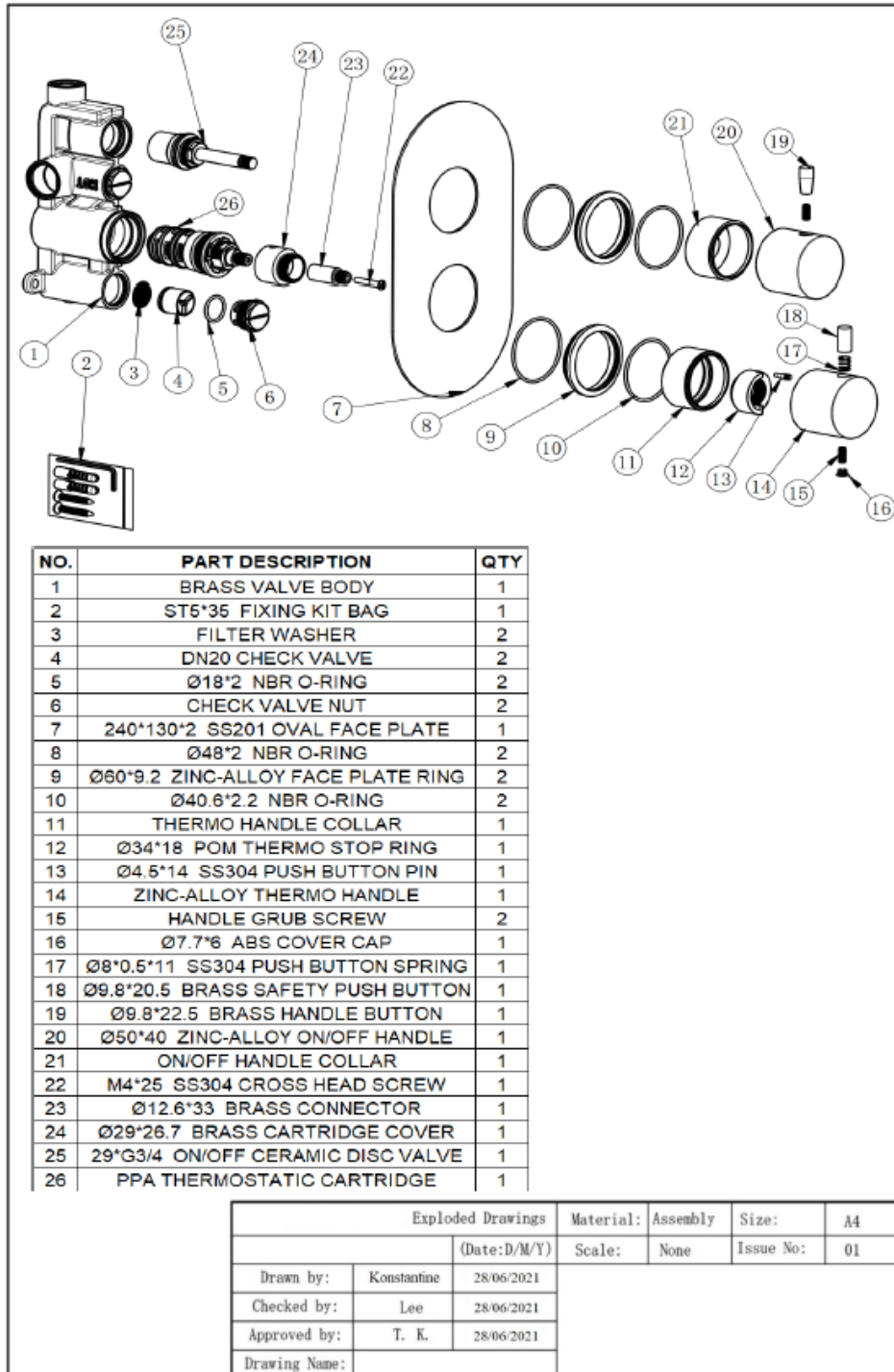
INFORMATION

| | |
|-------------------------------|--|
| Construction | Brass Body; Stainless steel face plate; Zinc-alloy handles |
| Finishes | Matt Black/ Electroplating |
| Product Type | Contemporary |
| Water Pressure | Min. 0.2 bar (handset) 0.5 bar (shower head), Max. 6.0 bar |
| Plumbing Systems | Suitable for all plumbing systems, Hot and Cold water pressure preferably balanced Max. supply pressure differential requirement no greater than 5:1 |
| Certification | WRAS approval and certification |
| Cartridge | Thermostatic cartridge & Ceramic disc valve |
| Check valve | DN20 check valve |
| Fitting | Inlet: Two Brass G3/4" BSP Female thread (Hot and Cold) Outlet: One Brass G1/2" BSP Female thread |
| Packaging | 39 x 29 x 33cm / carton (4 boxes), Dimension: 37.5 x 13.5 x 15.5cm / box; Weight: 2.38Kg / box |
| Guarantee | 5 years against manufacturing faults (excluding serviceable parts) |
| Additional Information | 1. Temperature: Pre-set 38°C, with push button override to 48°C 2. Automatic shut off in the event of hot or cold water supply failure 3. Easy accessible check valve 4. Interchange design for horizontal & vertical installation 5. Anti-Calc thermostatic cartridge for easy maintenance 6. Durable electronic plating |

All Dimensions are in millimetres. The information contained on this page was correct at date of issue. Fitting dimensions are provided as a guide only. Some variation may occur due to manufacturing tolerances. We pursue a policy of continuing improvement in design and performance of our products and so reserve the right to change specifications without prior notice.

R.T. LARGE

ESTABLISHED 1969



Flow Rates (Litres per minute)

| System Pressure | 0.1 Bar | 0.2 Bar | 0.3 Bar | 0.5 Bar | 1.0 Bar | 1.5 Bar | 2.0 Bar | 3.0 Bar | 4.0 Bar | 5.0 Bar |
|-----------------|---------|---------|---------|---------|---------|---------|---------|---------|---------|---------|
| | 5.8 | 7.4 | 8.7 | 11.1 | 15.5 | 18.9 | 21.8 | 26.5 | 30.5 | 33.8 |

All Dimensions are in millimetres. The information contained on this page was correct at date of issue. Fitting dimensions are provided as a guide only. Some variation may occur due to manufacturing tolerances. We pursue a policy of continuing improvement in design and performance of our products and so reserve the right to change specifications without prior notice.