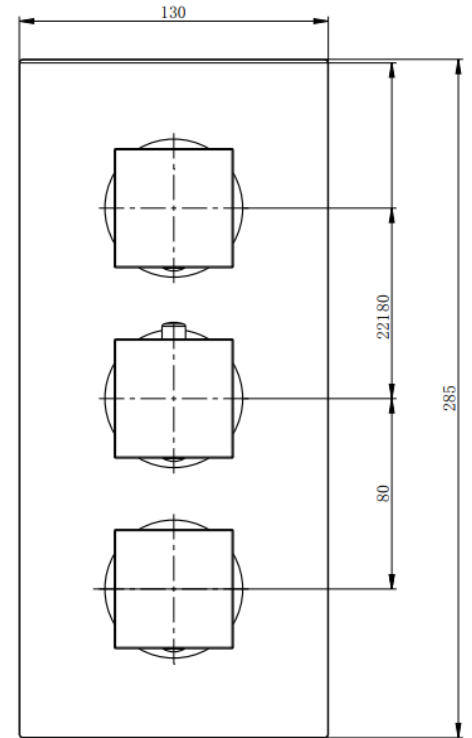
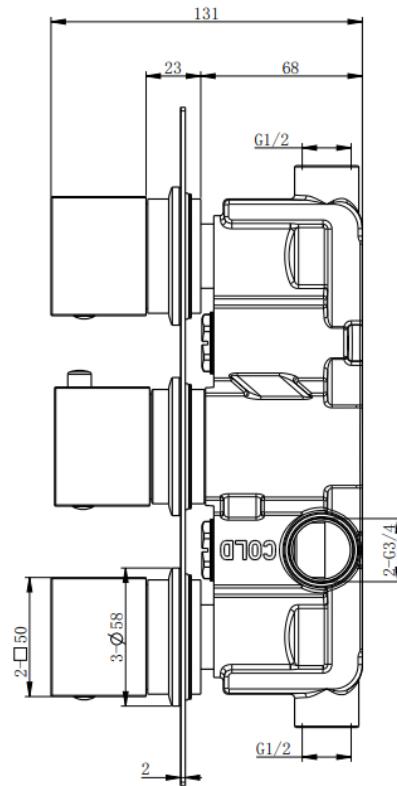


Technical Data Information

Square Chrome Triple Two Outlet
AVCVQ11

R.T. LARGE

ESTABLISHED 1969



INFORMATION

Construction	Brass Body (CC757S) equivalent to EN CuZn39Pb2Al-C; SS201 Stainless steel Face plate; Zinc-alloy Handles
Finishes	Chrome plated to BS EN 248
Product Type	Contemporary
Water Pressure	Min. 0.5 bar, Max. 5.0 bar
Plumbing Systems	Suitable for all plumbing systems, Hot and Cold water pressure preferably balanced; Max. supply pressure differential requirement no greater than 5:1
Standards	Complies with BSEN 1111
Certification	WRAS approval and certification
Cartridge	Thermostatic cartridge and Two Ceramic disc valves
Check valve	DN20 check valve
Fitting	Inlet: Two Brass G3/4" BSP Female thread (Hot and Cold) Outlet: Two Brass G1/2" BSP Female thread
Packaging	44 x 35 x 33cm / carton (4 boxes), Dimension: 33.5 x 21 x 15.5cm / box; Weight: 3.13Kg / box
Guarantee	10 years against manufacturing faults (excluding serviceable parts)
Additional Information	1. Temperature: Pre-set 38°C, with push button override to 48°C 2. Automatic shut off in the event of hot or cold water supply failure 3. Easy accessible check valve 4. Interchange design for horizontal & vertical installation 5. Anti-Calc thermostatic cartridge for easy maintenance

All Dimensions are in millimetres. The information contained on this page was correct at date of issue. Fitting dimensions are provided as a guide only. Some variation may occur due to manufacturing tolerances. We pursue a policy of continuing improvement in design and performance of our products and so reserve the right to change specifications without prior notice.

R.T. LARGE

ESTABLISHED 1969

NO.	PART DESCRIPTION	QTY
1	BRASS VALVE BODY	1
2	ST5*35 FIXING KIT BAG	1
3	Ø29*G3/4 CERAMIC DISC VALVE (RED)	1
4	Ø48*2 NBR O-RING	3
5	290*130*2 SS201 S/STEEL FACE PLATE	1
6	Ø60*9.2 ZINC-ALLOY FACE PLATE RING	3
7	Ø40.6*2.2 NBR O-RING	3
8	ON/OFF HANDLE COLLAR	2
9	50*50*40 ZINC-ALLOY ON/OFF HANDLE	2
10	HANDLE GRUB SCREW	3
11	Ø7.7*6 ABS COVER CAP	3
12	50*50*40 ZINC-ALLOY THERMO HANDLE	1
13	Ø8*0.5*11 SS304 PUSH BUTTON SPRING	1
14	Ø9.8*20.5 BRASS SAFETY PUSH BUTTON	1
15	Ø4.5*14 SS304 PUSH BUTTON PIN	1
16	THERMO HANDLE COLLAR	1
17	Ø34*18 POM THERMO STOP RING	1
18	M4*25 SS304 CROSS HEAD SCREW	1
19	Ø12.6*33 BRASS CONNECTOR	1
20	Ø29*26.7 BRASS CARTRIDGE COVER	1
21	PPA THERMOSTATIC CARTRIDGE	1
22	CHECK VALVE NUT	2
23	Ø18*2 NBR O-RING	2
24	DN20 CHECK VALVE	2
25	STAINLESS STEEL FILTER WASHER	2
26	Ø29*G3/4 CERAMIC DISC VALVE (BLUE)	1

Installation

Prepare pipes in wall to connect to shower, with cold on the right.

Ensure these pipes are flushed before connecting the mixer.

Two 1/2" male fittings will be required (not supplied) to connect the outlet pipes to the mixer.

Two 3/4" male fittings will be required (not supplied) to connect the supply pipes to the mixer.

Exploded Drawings		Material: Assembly	Size: M4
(Date:D/M/Y)		Scale: None	Issue No: 01
Drawn by:	Konstantine	28/06/2021	
Checked by:	Lee	28/06/2021	
Approved by:	T. K.	28/06/2021	
Drawing Name:			



Flow Rates (Litres per minute)

System Pressure	0.1 Bar	0.2 Bar	0.3 Bar	0.5 Bar	1.0 Bar	1.5 Bar	2.0 Bar	3.0 Bar	4.0 Bar	5.0 Bar
	5.7	7.3	8.7	10.9	15.3	18.7	21.5	26.4	30.5	34.1
	5.6	7.3	8.5	10.8	15.1	18.5	21.2	26.1	30.1	33.7

All Dimensions are in millimetres. The information contained on this page was correct at date of issue. Fitting dimensions are provided as a guide only. Some variation may occur due to manufacturing tolerances. We pursue a policy of continuing improvement in design and performance of our products and so reserve the right to change specifications without prior notice.