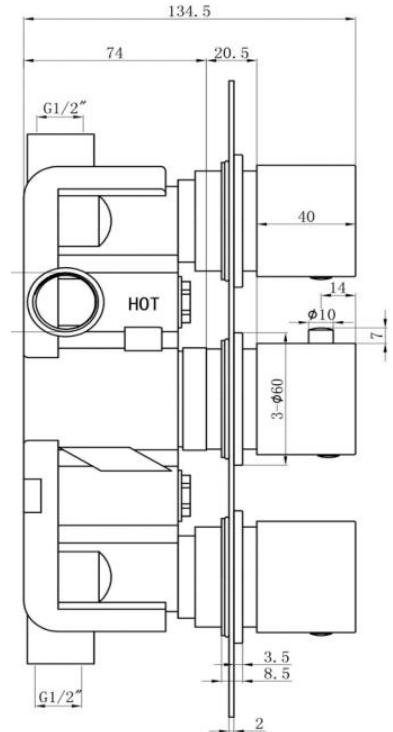
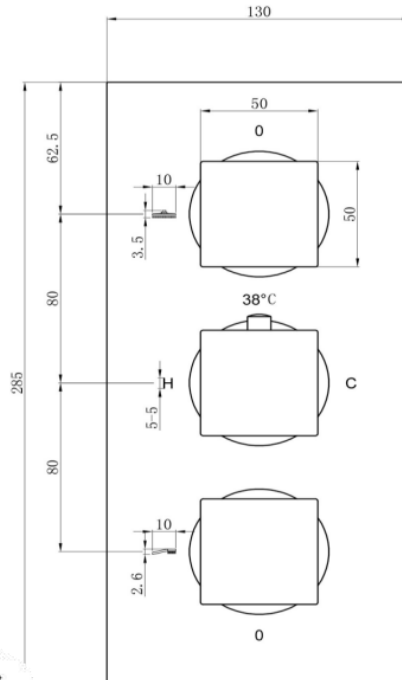


## Technical Data Information

Square Black Triple Two Outlet  
AVCVQ11K

# R.T. LARGE

ESTABLISHED 1969



## INFORMATION

### Construction

### Finishes

### Product Type

### Water Pressure

### Plumbing Systems

### Standards

### Certification

### Cartridge

### Fitting

### Packaging

### Guarantee

### Additional Information

Brass Body (CuZn38b18)

Black Matt/ Electroplating Finish

Contemporary

Min.0.5 bar, Max. 7.0 bar

Suitable for all plumbing systems, preferably balanced.Min. supply pressure differential requirement is 5:1

Complies with BSEN 1111

TMV2 and WRAS certificated

Thermostatic

Inlet: 3/4" Female

Outlet: 1/2" Female

46x25x32cm / carton (4pcs/carton)

10 years (3 year on working parts/decorative finish)

1.Temperature: Pre-set 38°C, with push button override to 48°C.

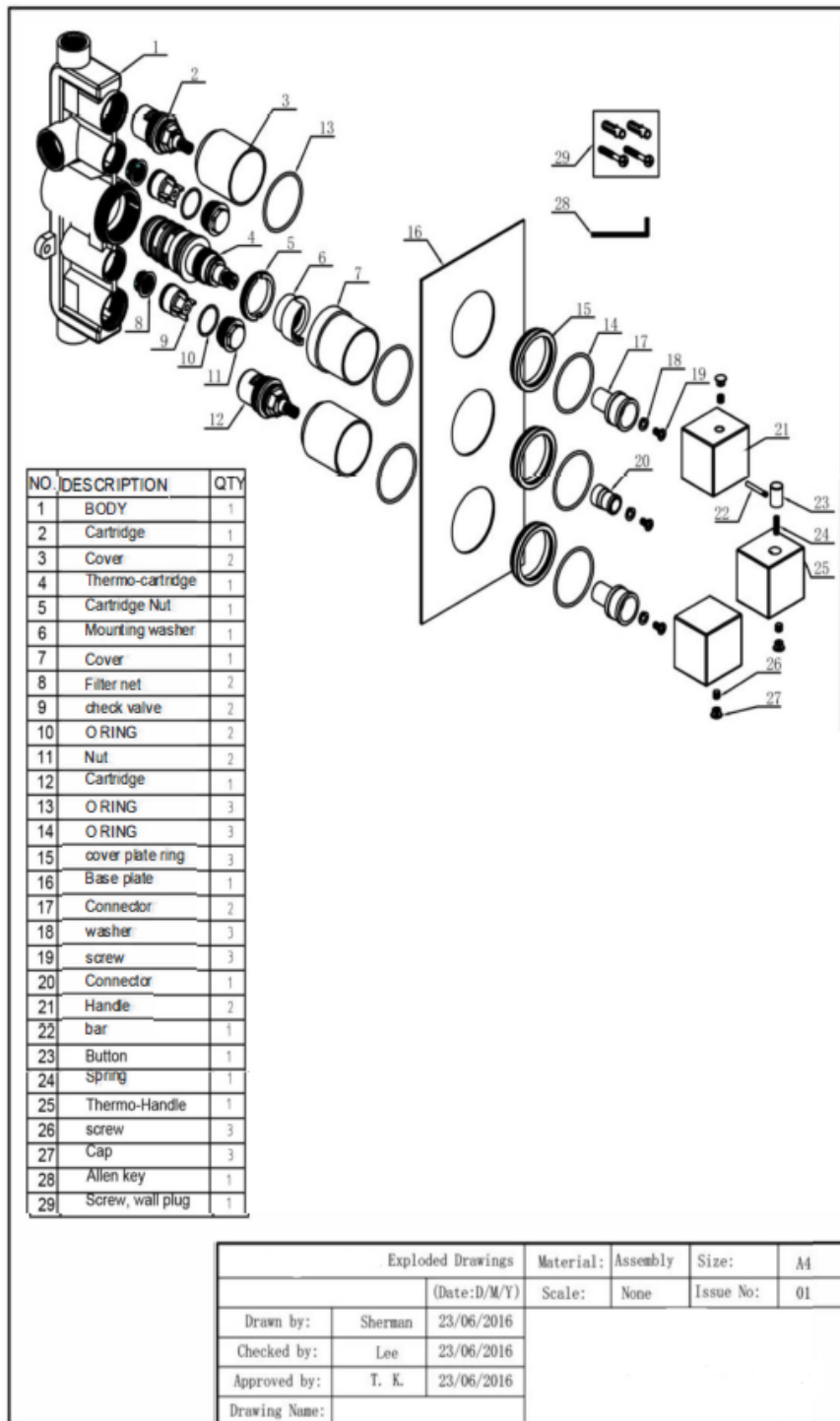
2.Automatic shut off in the event of hot or cold water supply failure.

3. Easy accessible check valve

All Dimensions are in millimetres | All Dimensions in mm have a tolerance of  $\pm 1$ mm. The information contained on this page was correct at date of issue. Fitting dimensions are provided as a guide only. Some variation may occur due to manufacturing tolerances. We pursue a policy of continuing improvement in design and performance of our products and so reserve the right to change specifications without prior notice.

# R.T. LARGE

ESTABLISHED 1969



## Flow Rates (Litres per minute)

System Pressure	0.1 Bar	0.2 Bar	0.3 Bar	0.5 Bar	1.0 Bar	1.5 Bar	2.0 Bar	3.0 Bar	4.0 Bar	5.0 Bar
AVCVQ11K	-	7.3	-	10.5	14.5	18.0	21.0	26.0	-	-

All Dimensions are in millimetres | All Dimensions in mm have a tolerance of  $\pm 1$ mm. The information contained on this page was correct at date of issue. Fitting dimensions are provided as a guide only. Some variation may occur due to manufacturing tolerances. We pursue a policy of continuing improvement in design and performance of our products and so reserve the right to change specifications without prior notice.