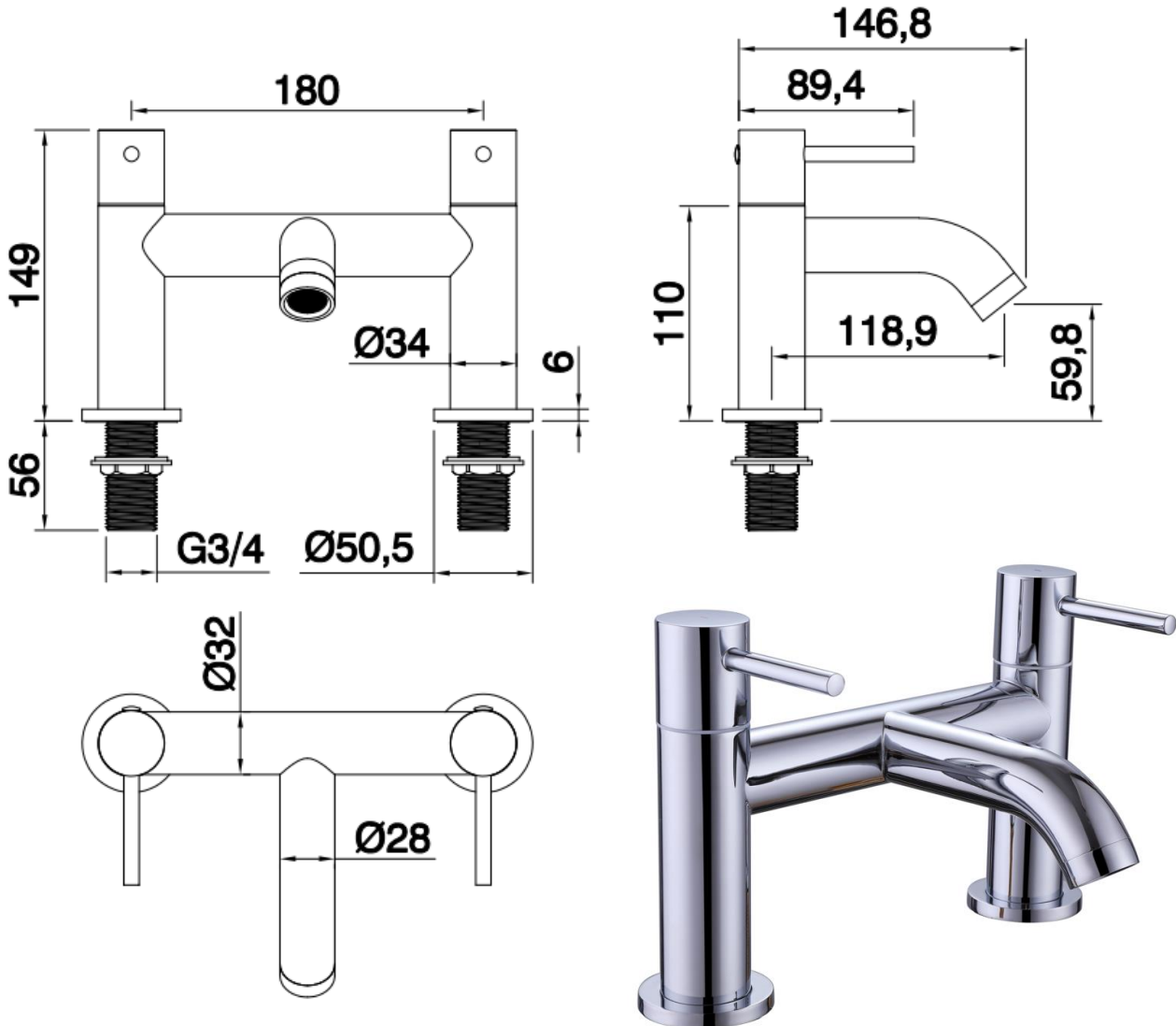


Technical Data Information

Giro Chrome Bath Filler
AVG03

R.T. LARGE

ESTABLISHED 1969



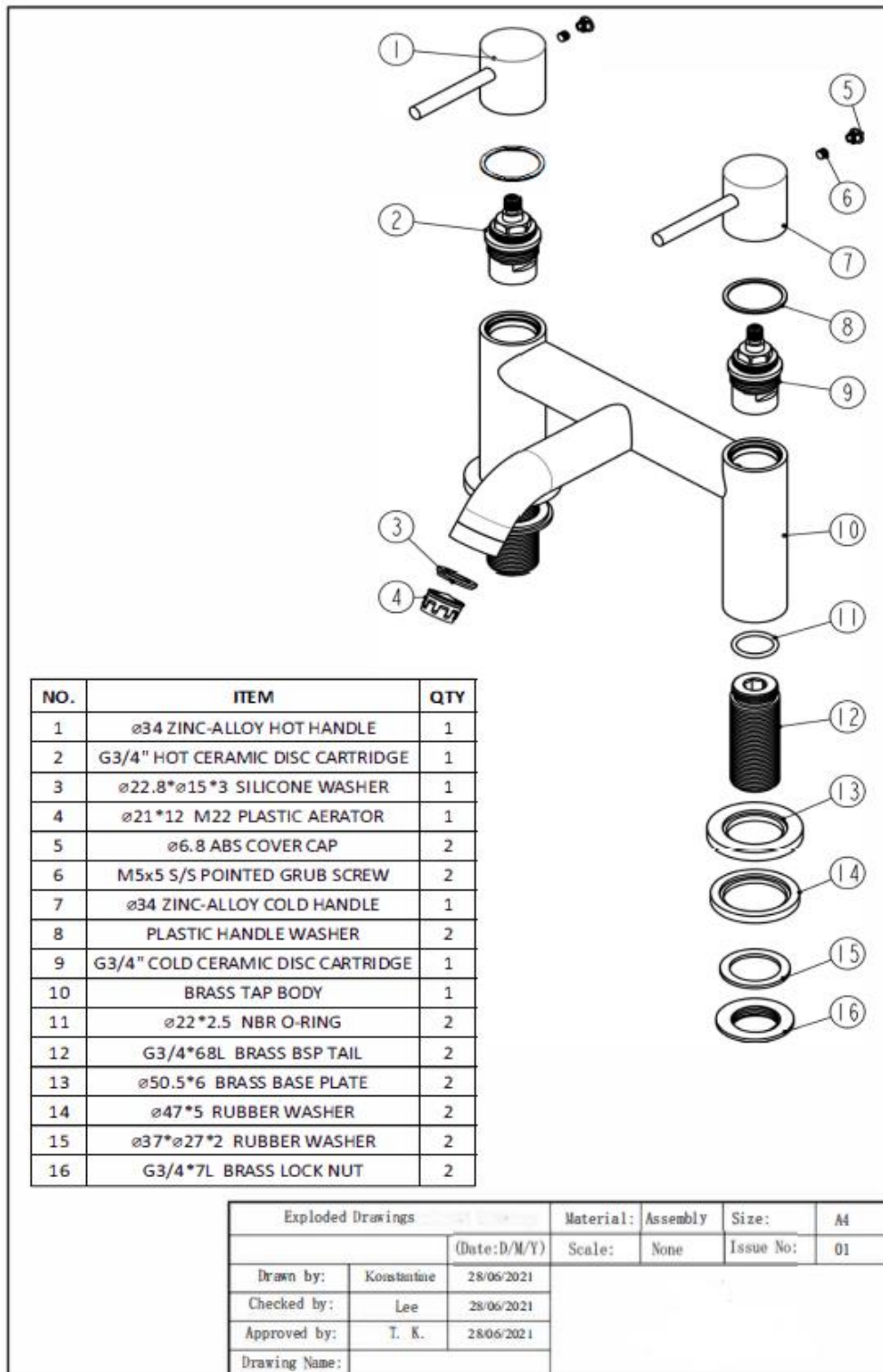
INFORMATION

Construction	Brass Body (CuZn40Pb2), EN CW617N (equivalent to BS CZ122); Zinc-alloy Handles; Brass Base plates
Finishes	Chrome plated to BS EN 248
Product Type	Contemporary
Water Pressure	Min. 1.5 bar, Max. 6.0 bar
Plumbing Systems	Suitable for all plumbing systems, Hot and Cold water pressure preferably balanced Max. supply pressure differential requirement no greater than 5:1
Standards	Complies with BS5412, BS EN200
Certification	-
Aerator	M22 Spout aerator
Cartridge	1/4 Turn 3/4" Ceramic disc valves
Fitting	Brass G3/4" BSP tails
Packaging	49 x 42 x 28.5cm / carton (4 boxes), Dimension: 28 x 24 x 16.5cm / box; Weight: 2.00Kg / box
Guarantee	10 years against manufacturing faults (excluding serviceable parts)

All Dimensions are in millimetres | All Dimensions in mm have a tolerance of ± 1 mm. The information contained on this page was correct at date of issue. Fitting dimensions are provided as a guide only. Some variation may occur due to manufacturing tolerances. We pursue a policy of continuing improvement in design and performance of our products and so reserve the right to change specifications without prior notice.

R.T. LARGE

ESTABLISHED 1969



Flow Rates (Litres per minute)

System Pressure	0.1 Bar	0.2 Bar	0.3 Bar	0.5 Bar	1.0 Bar	1.5 Bar	2.0 Bar	3.0 Bar	4.0 Bar	5.0 Bar
	-	-	-	7.4	10.7	13.4	15.6	19.3	-	-

All Dimensions are in millimetres | All Dimensions in mm have a tolerance of ± 1mm. The information contained on this page was correct at date of issue. Fitting dimensions are provided as a guide only. Some variation may occur due to manufacturing tolerances. We pursue a policy of continuing improvement in design and performance of our products and so reserve the right to change specifications without prior notice.