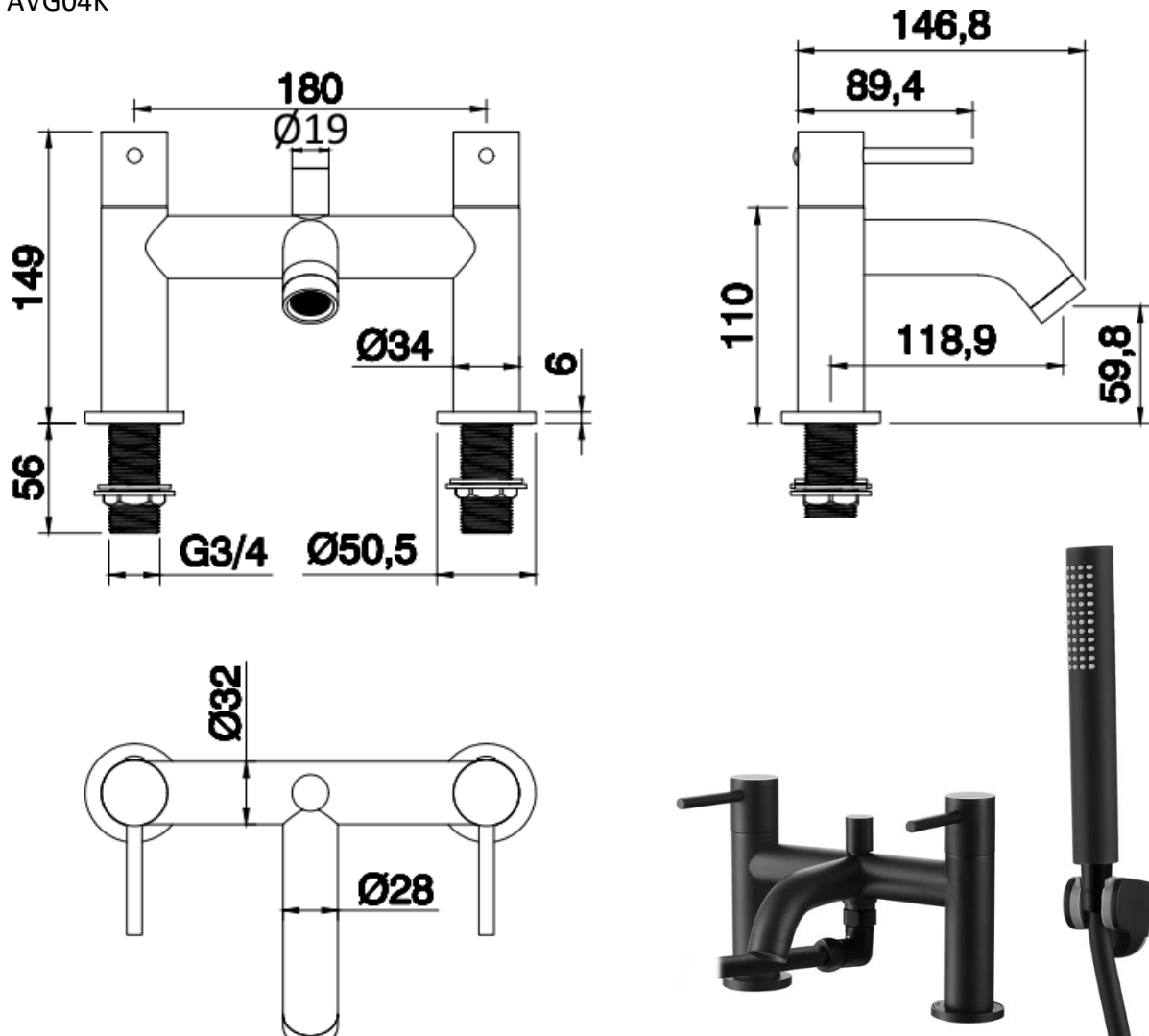


Technical Data Information

Giro Black Bath Shower Mixer
AVG04K

R.T. LARGE

ESTABLISHED 1969



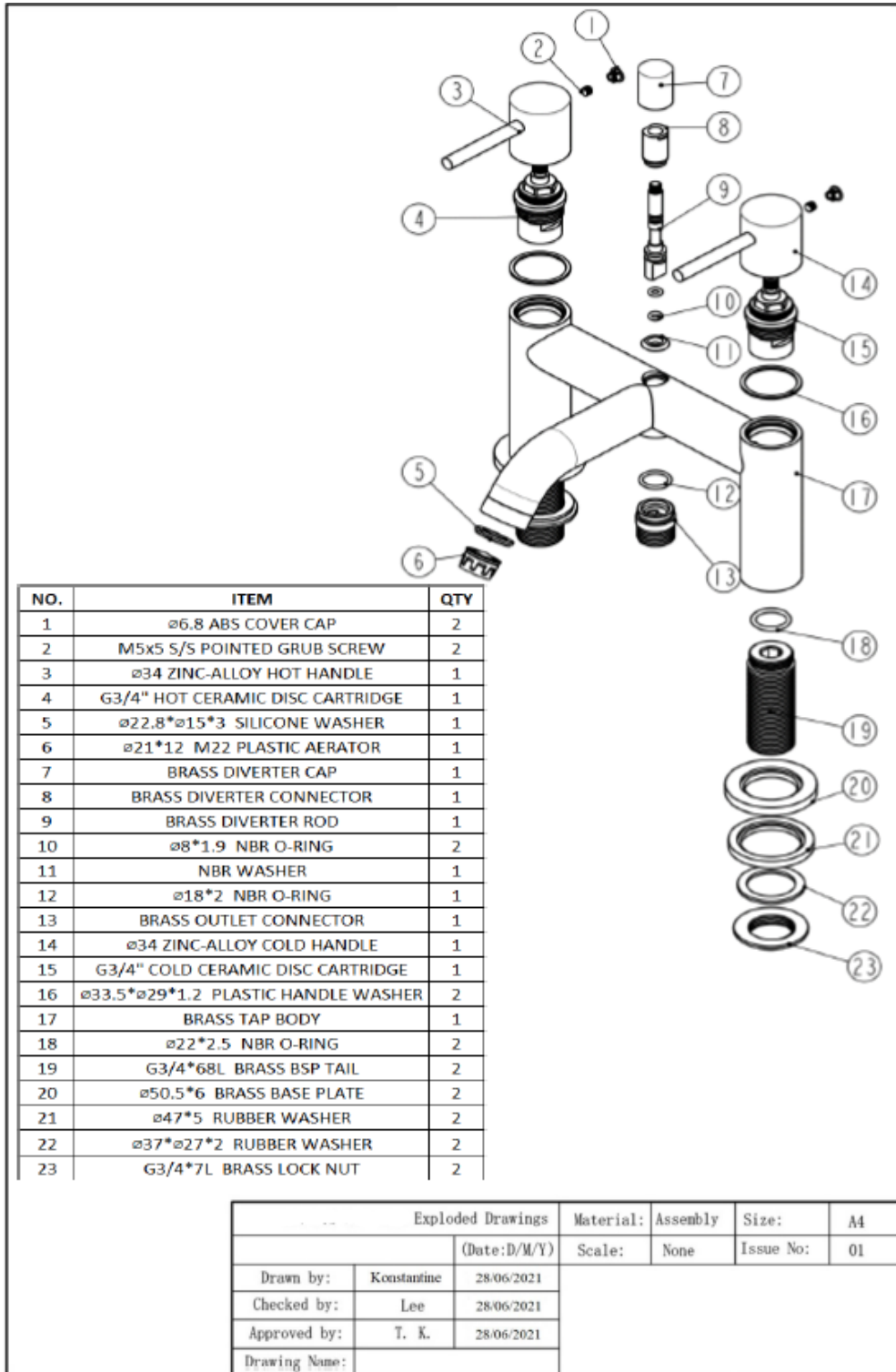
INFORMATION

Construction	Brass Body (CuZn40Pb2), EN CW617N (equivalent to BS CZ122); Zinc-alloy Handles; Brass Base plates
Finishes	Matt Black/Electroplating
Product Type	Contemporary
Water Pressure	Min. 1.5 bar, Max. 6.0 bar
Plumbing Systems	Suitable for all plumbing systems, Hot and Cold water pressure preferably balanced, Max. supply pressure differential requirement no greater than 5:1
Standards	Complies with BS5412, BS EN200
Certification	WRAS approved
Cartridge	1/4 Turn 3/4" Ceramic disc valves
Aerator	M22 Spout aerator
Fitting	Brass G ³ / ₄ " BSP tails
Packaging	50 x 29.5 x 38cm / carton (4 boxes), Dimension: 28 x 24 x 18cm / box; Weight: 2.63Kg / box
Guarantee	5 years against manufacturing faults (excluding serviceable parts)
Additional Information	Supplied with Matt black 1.5m smooth PVC hose, outlet hose elbow, single mode ABS handset & wall mounted ABS holder

All Dimensions are in millimetres. The information contained on this page was correct at date of issue. Fitting dimensions are provided as a guide only. Some variation may occur due to manufacturing tolerances. We pursue a policy of continuing improvement in design and performance of our products and so reserve the right to change specifications without prior notice.

R.T. LARGE

ESTABLISHED 1969



Flow Rates (Litres per minute)

System Pressure	0.1 Bar	0.2 Bar	0.3 Bar	0.5 Bar	1.0 Bar	1.5 Bar	2.0 Bar	3.0 Bar	4.0 Bar	5.0 Bar
	-	-	-	6.4	9.5	12.0	13.9	17.2	-	-

All Dimensions are in millimetres. The information contained on this page was correct at date of issue. Fitting dimensions are provided as a guide only. Some variation may occur due to manufacturing tolerances. We pursue a policy of continuing improvement in design and performance of our products and so reserve the right to change specifications without prior notice.