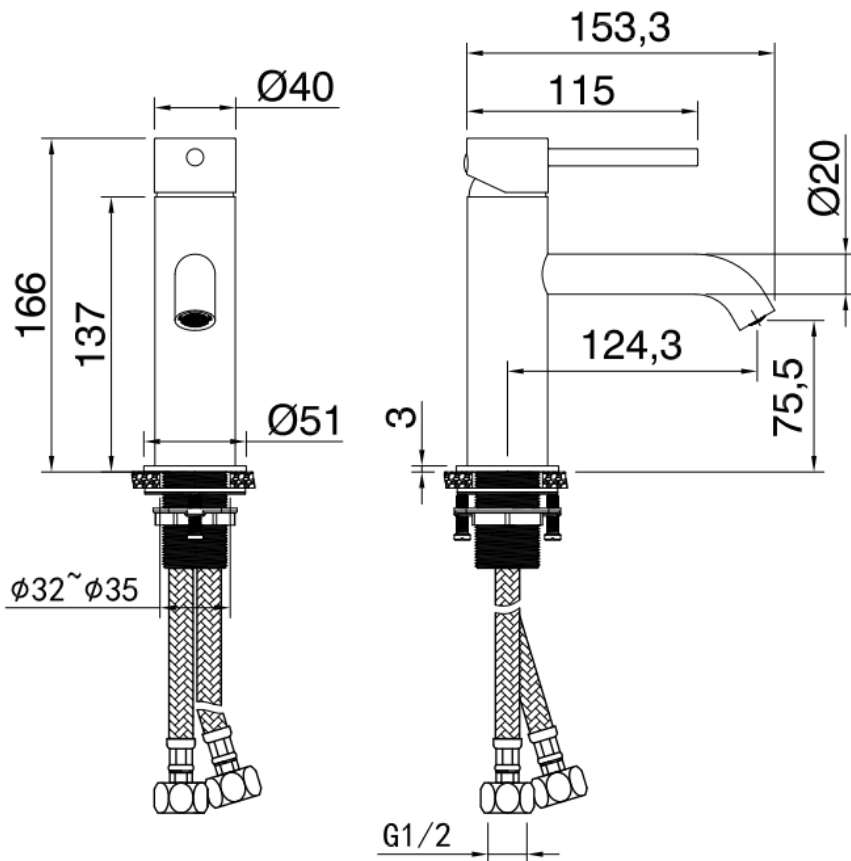


## Technical Data Information

Giro Black Mono Basin Mixer inc. Waste  
AVG05K

# R.T. LARGE

ESTABLISHED 1969



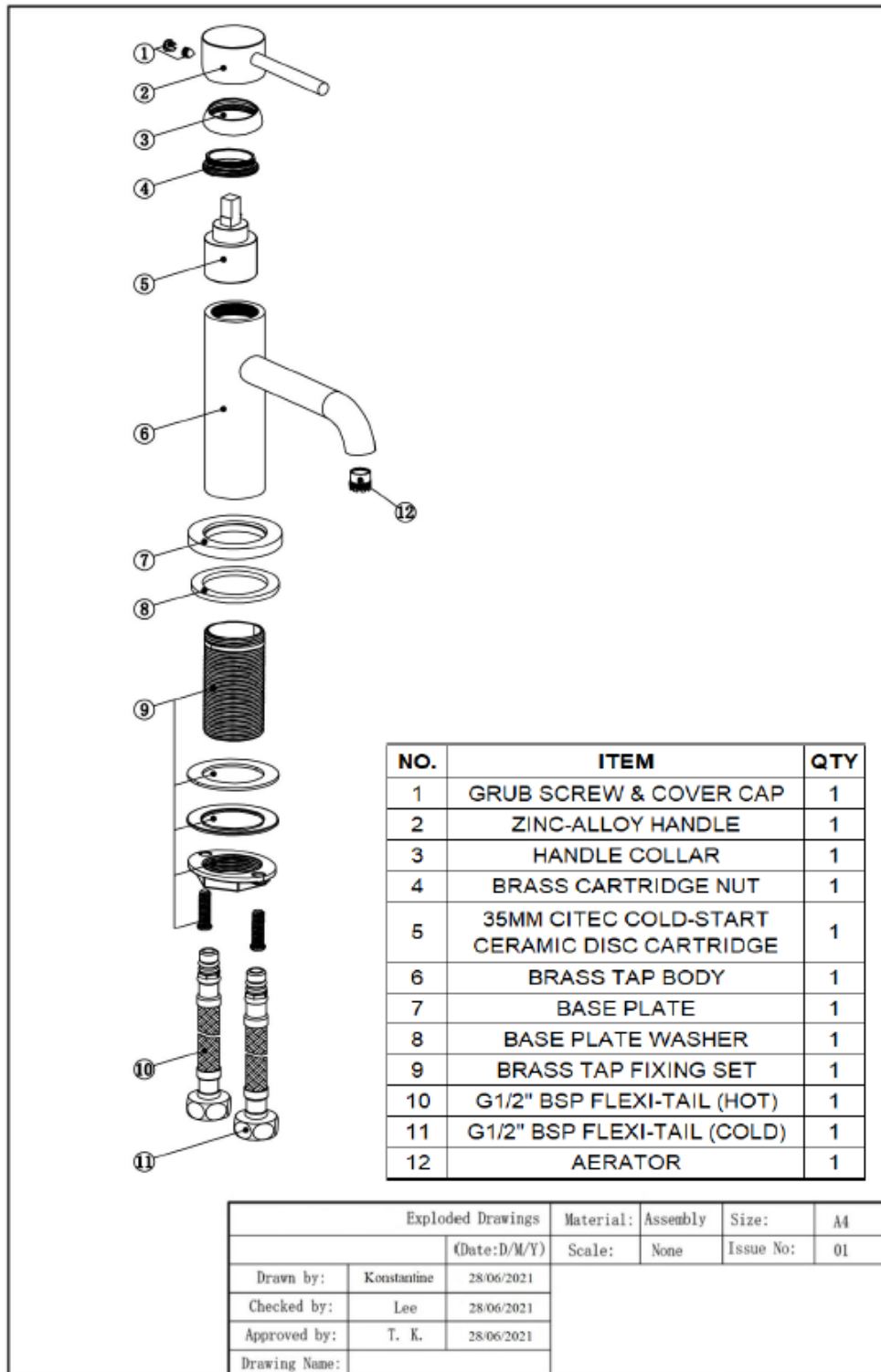
## INFORMATION

<b>Construction</b>	Brass Body (CuZn40Pb2), EN CW617N (equivalent to BS CZ122); Zinc-alloy Handle
<b>Finishes</b>	Matt Black/ Electroplating Finish
<b>Product Type</b>	Contemporary
<b>Water Pressure</b>	Min. 0.5 bar, Max. 6.0 bar
<b>Plumbing Systems</b>	Suitable for all plumbing systems, Hot and Cold water pressure preferably balanced Max. supply pressure differential requirement no greater than 5:1
<b>Standards</b>	Complies with BS6920, BS EN200
<b>Certification</b>	-
<b>Cartridge</b>	CITEC 35mm 110° Turn Cold Start Ceramic disc cartridge
<b>Aerator</b>	Neoperl Slim Aerator
<b>Fitting</b>	UK: M10 x 350mm G1/2" BSP Female Flexi Tails EU: M10 x 350mm G3/8" BSP Female Flexi Tails
<b>Packaging</b>	46 x 28 x 34cm / carton (8 boxes), Dimension: 27 x 22 x 8cm / box; Weight: 1.44Kg / box
<b>Guarantee</b>	10 years against manufacturing faults (excluding serviceable parts)
<b>Additional Information</b>	Supplied with G1/4" sprung waste (UK only)

All Dimensions are in millimetres | All Dimensions in mm have a tolerance of  $\pm 1\text{mm}$ . The information contained on this page was correct at date of issue. Fitting dimensions are provided as a guide only. Some variation may occur due to manufacturing tolerances. We pursue a policy of continuing improvement in design and performance of our products and so reserve the right to change specifications without prior notice.

# R.T. LARGE

ESTABLISHED 1969



## Flow Rates (Litres per minute)

System Pressure	0.1 Bar	0.2 Bar	0.3 Bar	0.5 Bar	1.0 Bar	1.5 Bar	2.0 Bar	3.0 Bar	4.0 Bar	5.0 Bar
	-	-	-	4.6	6.0	-	8.3	10.2	-	-

All Dimensions are in millimetres | All Dimensions in mm have a tolerance of  $\pm 1$ mm. The information contained on this page was correct at date of issue. Fitting dimensions are provided as a guide only. Some variation may occur due to manufacturing tolerances. We pursue a policy of continuing improvement in design and performance of our products and so reserve the right to change specifications without prior notice.