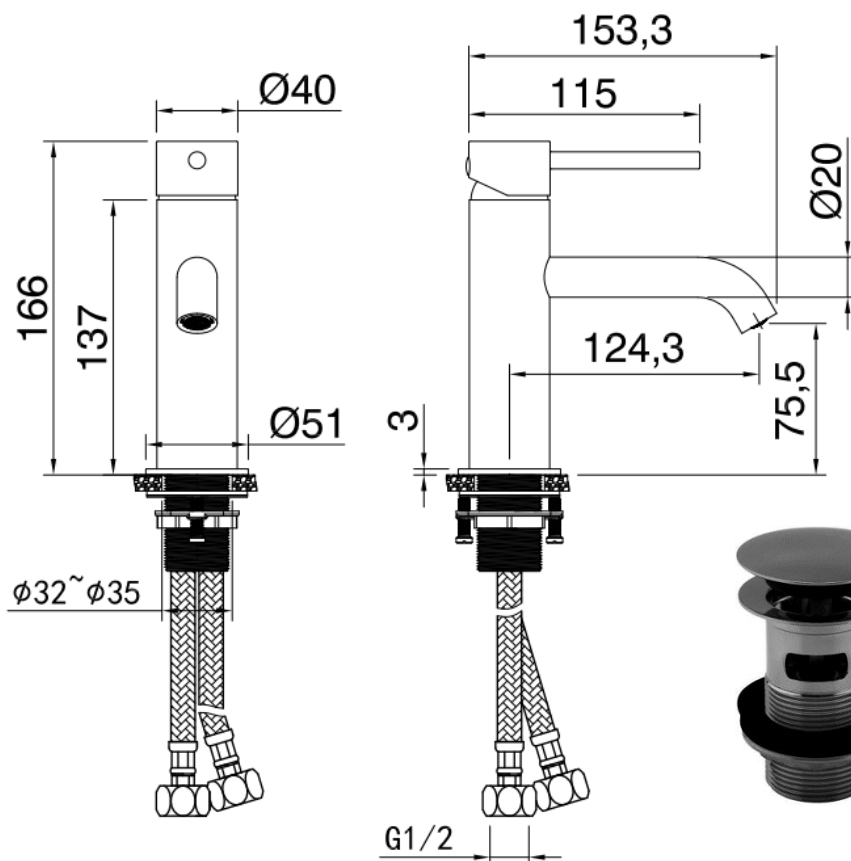


Technical Data Information

Giro Brushed Brass Mono Basin Mixer inc. Waste
AVG05BB

R.T. LARGE

ESTABLISHED 1969



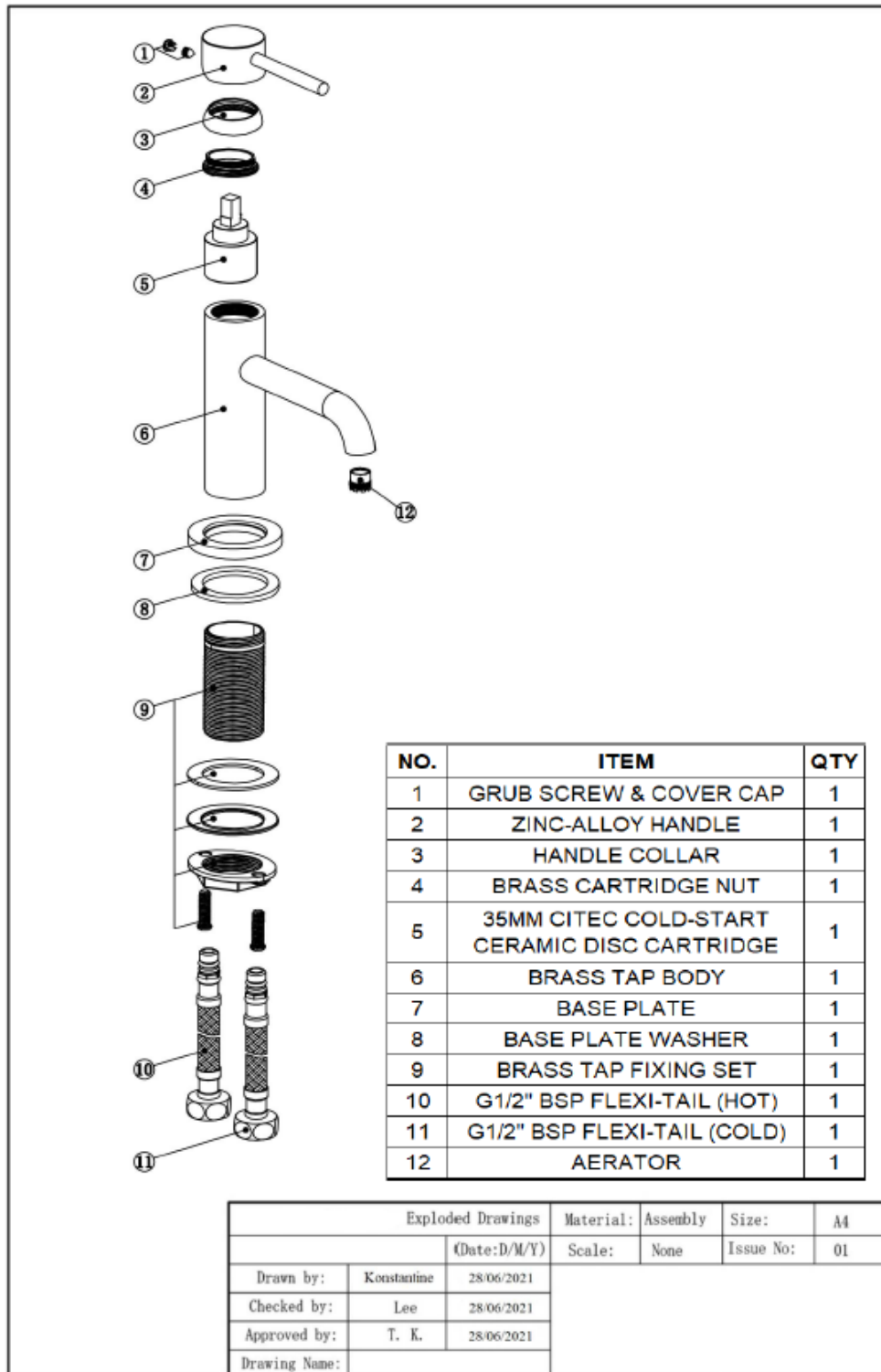
INFORMATION

Construction	Brass Body (CuZn40Pb2), EN CW617N (equivalent to BS CZ122); Zinc-alloy Handle
Finishes	Gunmetal/ PVD Finish
Product Type	Contemporary
Water Pressure	Min. 0.5 bar, Max. 6.0 bar
Plumbing Systems	Suitable for all plumbing systems, Hot and Cold water pressure preferably balanced Max. supply pressure differential requirement no greater than 5:1
Standards	Complies with BS6920, BS EN200
Certification	-
Cartridge	CITEC 35mm 110° Turn Cold Start Ceramic disc cartridge
Aerator	Neoperl Slim Aerator
Fitting	UK: M10 x 350mm G½" BSP Female Flexi Tails EU: M10 x 350mm G3/8" BSP Female Flexi Tails
Packaging	46 x 28 x 34cm / carton (8 boxes), Dimension: 27 x 22 x 8cm / box; Weight: 1.44Kg / box
Guarantee	10 years against manufacturing faults (excluding serviceable parts)
Additional Information	Supplied with G1¼" sprung waste (UK only)

All Dimensions are in millimetres | All Dimensions in mm have a tolerance of ± 1 mm. The information contained on this page was correct at date of issue. Fitting dimensions are provided as a guide only. Some variation may occur due to manufacturing tolerances. We pursue a policy of continuing improvement in design and performance of our products and so reserve the right to change specifications without prior notice.

R.T. LARGE

ESTABLISHED 1969



Flow Rates (Litres per minute)

System Pressure	0.1 Bar	0.2 Bar	0.3 Bar	0.5 Bar	1.0 Bar	1.5 Bar	2.0 Bar	3.0 Bar	4.0 Bar	5.0 Bar
	-	-	-	4.6	6.0	-	8.3	10.2	-	-

All Dimensions are in millimetres | All Dimensions in mm have a tolerance of ± 1 mm. The information contained on this page was correct at date of issue. Fitting dimensions are provided as a guide only. Some variation may occur due to manufacturing tolerances. We pursue a policy of continuing improvement in design and performance of our products and so reserve the right to change specifications without prior notice.