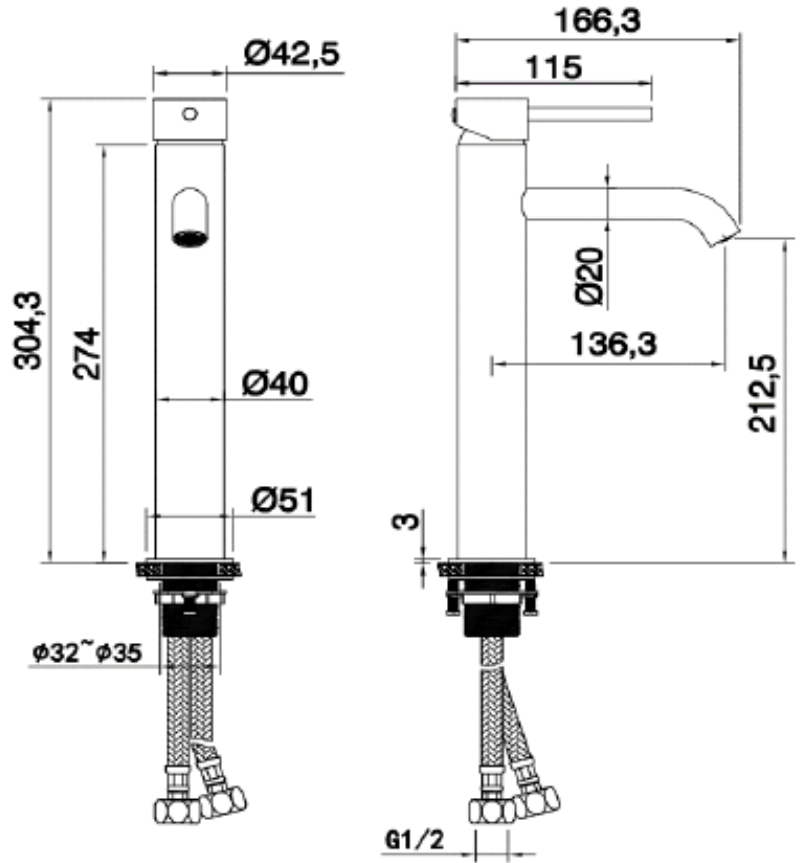


## Technical Data Information

Giro Brushed Brass Tall Mono Basin Mixer  
AVG08BB

# R.T. LARGE

ESTABLISHED 1969



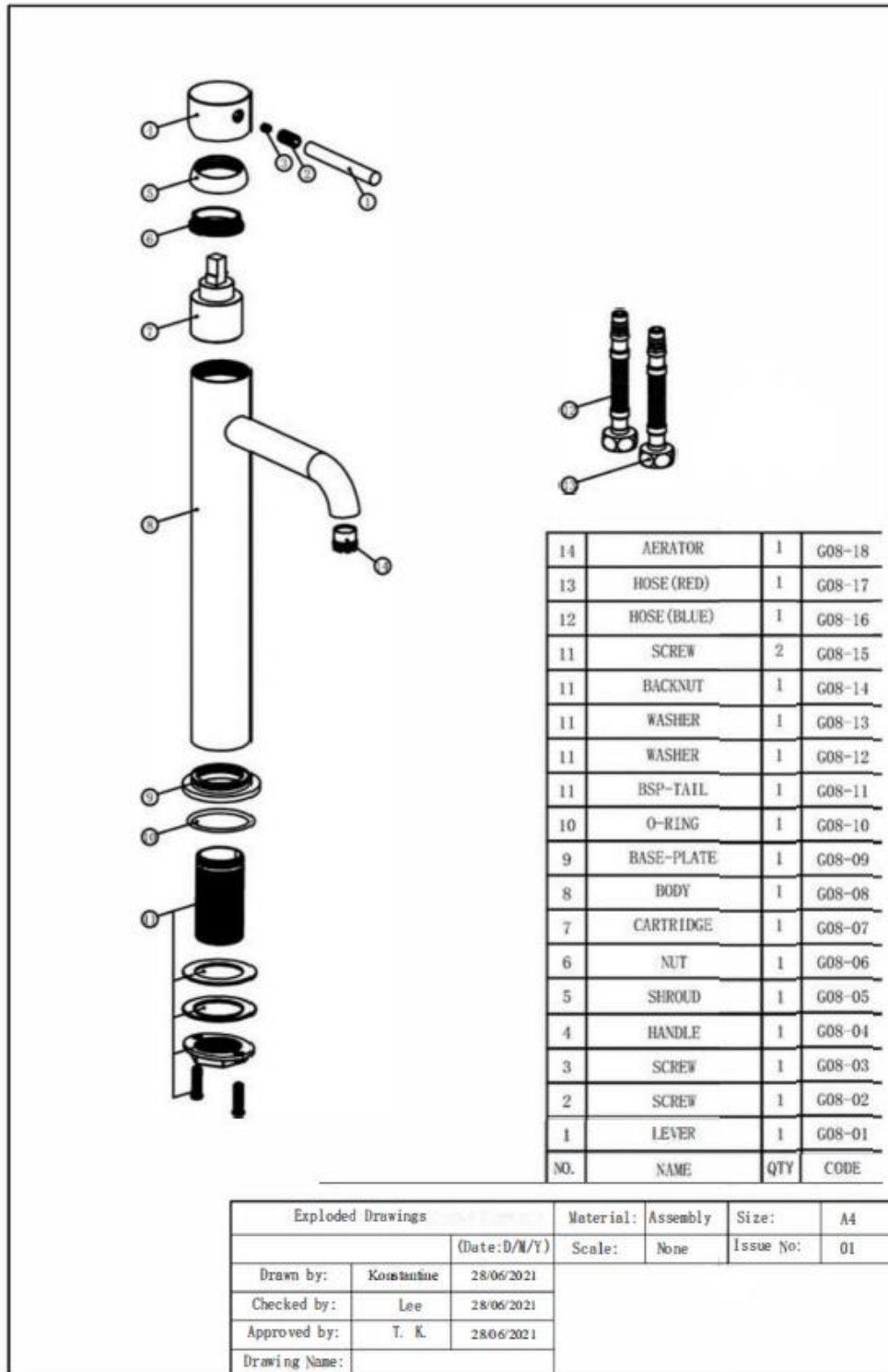
## INFORMATION

<b>Construction</b>	Brass Body; Zinc alloy handle
<b>Finishes</b>	Brushed Brass/PVD Finish
<b>Product Type</b>	Contemporary
<b>Water Pressure</b>	Min. 0.5 bar, Max. 6.0 bar
<b>Plumbing Systems</b>	Suitable for all plumbing systems, Hot and Cold water pressure preferably balanced Max. supply pressure differential requirement no greater than 5:1
<b>Certification</b>	WRAS approval
<b>Cartridge</b>	KEROX 35mm Ceramic Disc Cartridge
<b>Fitting</b>	TUCAI M10 x 40cm G ½ " Flexible tails
<b>Guarantee</b>	5 years against manufacturing faults (excluding serviceable parts)
<b>Additional</b>	Cold start

All Dimensions are in millimetres. The information contained on this page was correct at date of issue. Fitting dimensions are provided as a guide only. Some variation may occur due to manufacturing tolerances. We pursue a policy of continuing improvement in design and performance of our products and so reserve the right to change specifications without prior notice.

# R.T. LARGE

ESTABLISHED 1969



## Flow Rates (Litres per minute)

System Pressure	0.1 Bar	0.2 Bar	0.3 Bar	0.5 Bar	1.0 Bar	1.5 Bar	2.0 Bar	3.0 Bar	4.0 Bar	5.0 Bar
	3.1	-	4.2	5.1	6.7	-	9.1	11.0	12.6	14.0

All Dimensions are in millimetres. The information contained on this page was correct at date of issue. Fitting dimensions are provided as a guide only. Some variation may occur due to manufacturing tolerances. We pursue a policy of continuing improvement in design and performance of our products and so reserve the right to change specifications without prior notice.