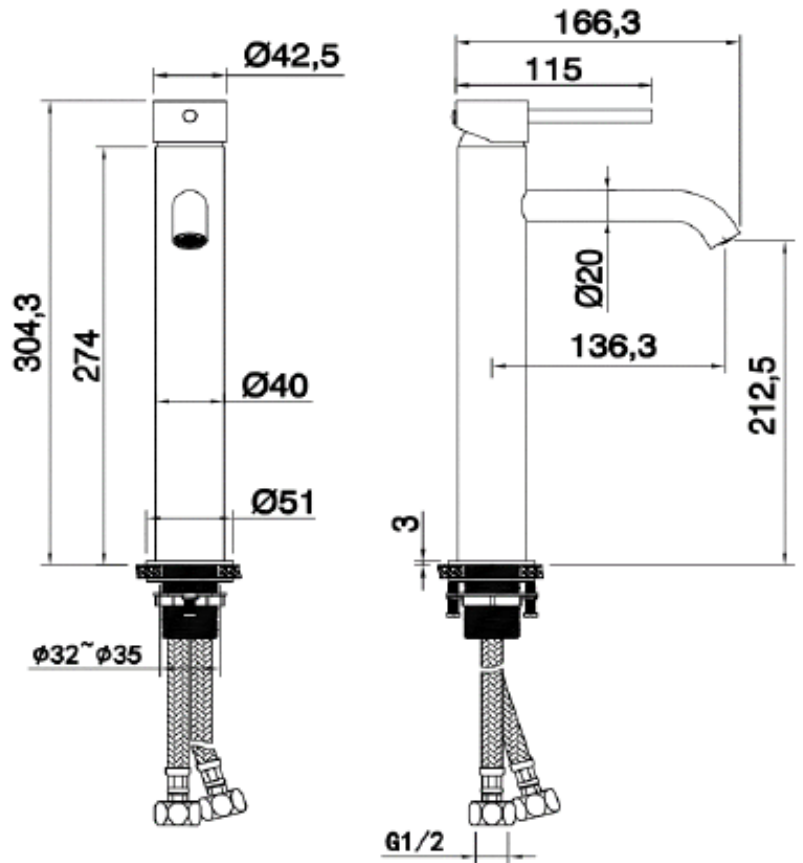


Technical Data Information

Giro Black Tall Mono Basin Mixer
AVG08K

R.T. LARGE

ESTABLISHED 1969



INFORMATION

Construction
Finishes
Product Type
Water Pressure
Plumbing Systems

Brass Body; Zinc alloy handle
Matt Black/Electroplating Finish
Contemporary
Min. 0.5 bar, Max. 6.0 bar
Suitable for all plumbing systems, Hot and Cold water pressure preferably balanced
Max. supply pressure differential requirement no greater than 5:1

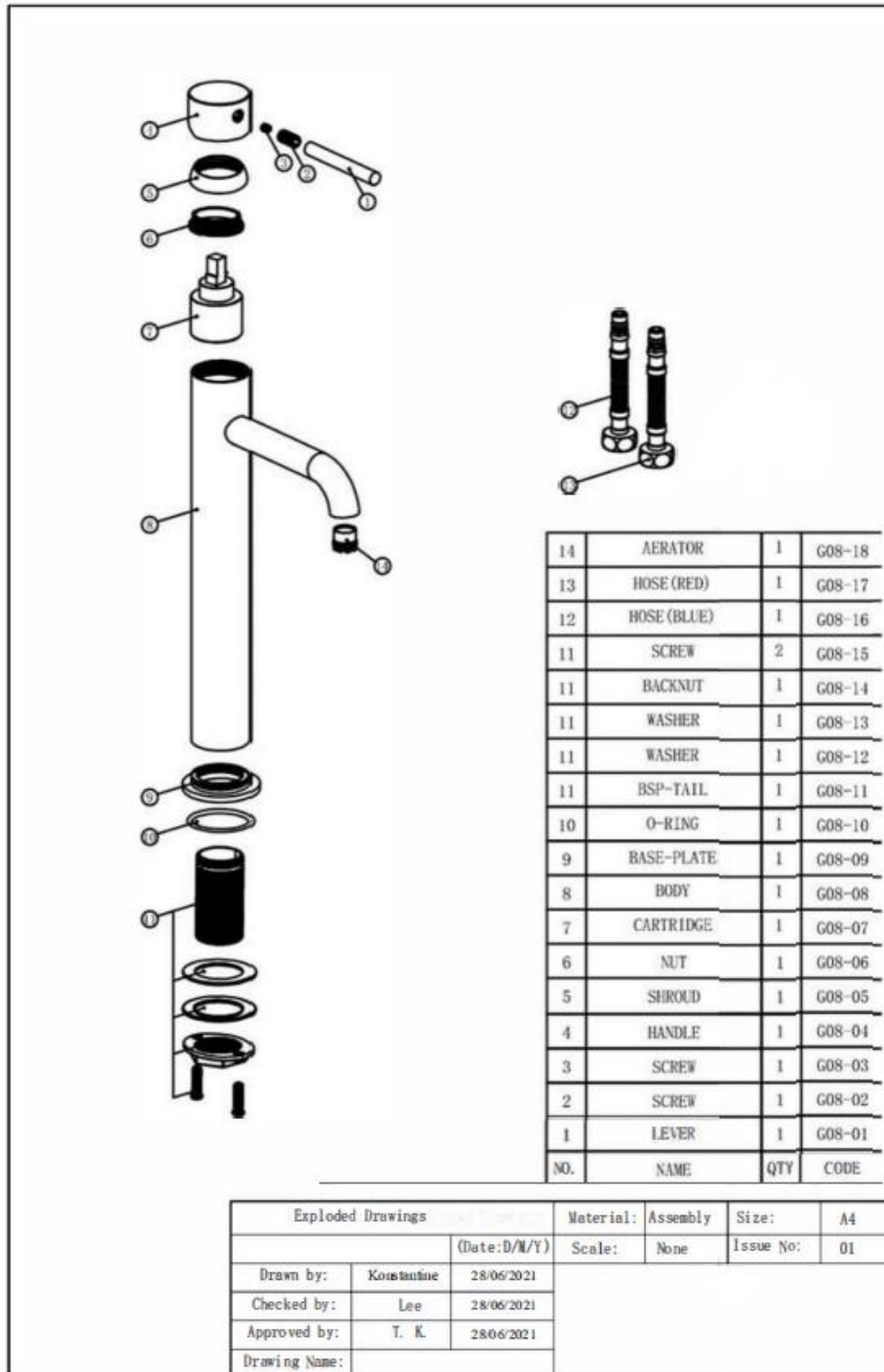
Certification
Cartridge
Fitting
Guarantee
Additional

WRAS approval
KEROX 35mm Ceramic Disc Cartridge
TUCAI M10 x 40cm G ½ " Flexible tails
5 years against manufacturing faults (excluding serviceable parts)
Cold start

All Dimensions are in millimetres. The information contained on this page was correct at date of issue. Fitting dimensions are provided as a guide only. Some variation may occur due to manufacturing tolerances. We pursue a policy of continuing improvement in design and performance of our products and so reserve the right to change specifications without prior notice.

R.T. LARGE

ESTABLISHED 1969



Flow Rates (Litres per minute)

System Pressure	0.1 Bar	0.2 Bar	0.3 Bar	0.5 Bar	1.0 Bar	1.5 Bar	2.0 Bar	3.0 Bar	4.0 Bar	5.0 Bar
	3.1	-	4.2	5.1	6.7	-	9.1	11.0	12.6	14.0

All Dimensions are in millimetres. The information contained on this page was correct at date of issue. Fitting dimensions are provided as a guide only. Some variation may occur due to manufacturing tolerances. We pursue a policy of continuing improvement in design and performance of our products and so reserve the right to change specifications without prior notice.