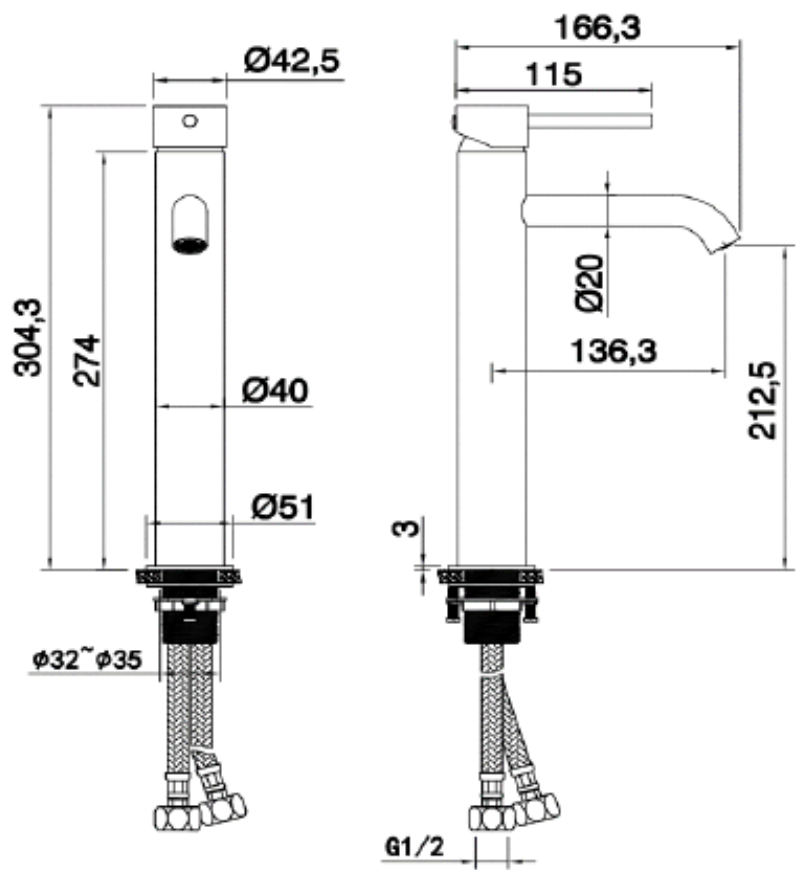


Technical Data Information

Giro Gunmetal Grey Tall Mono Basin Mixer
AVG08MG

R.T. LARGE

ESTABLISHED 1969



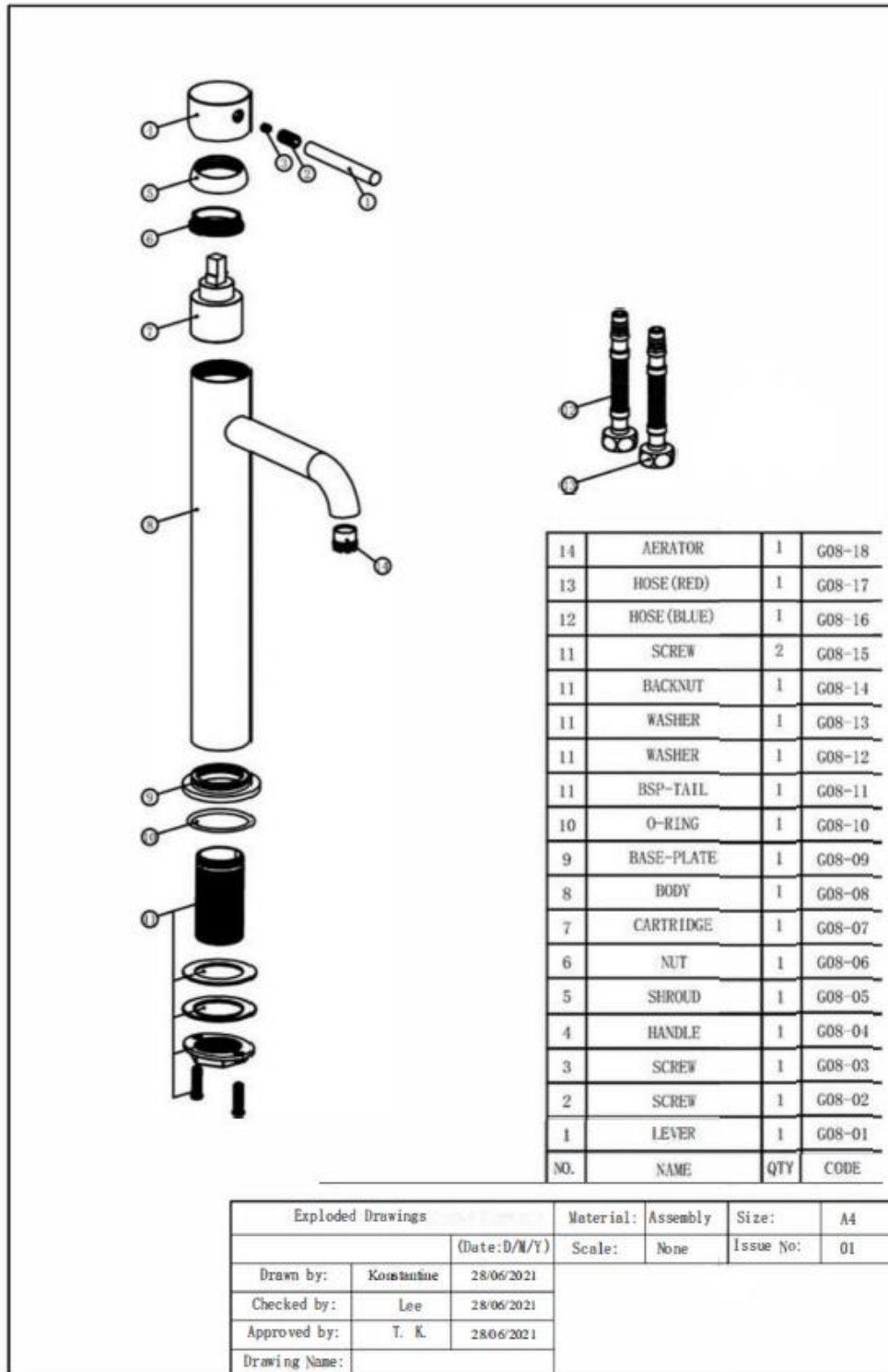
INFORMATION

Construction	Brass Body; Zinc alloy handle
Finishes	Gunmetal Grey/PVD Finish
Product Type	Contemporary
Water Pressure	Min. 0.5 bar, Max. 6.0 bar
Plumbing Systems	Suitable for all plumbing systems, Hot and Cold water pressure preferably balanced Max. supply pressure differential requirement no greater than 5:1
Certification	WRAS approval
Cartridge	KEROX 35mm Ceramic Disc Cartridge
Fitting	TUCAI M10 x 40cm G ½ " Flexible tails
Guarantee	5 years against manufacturing faults (excluding serviceable parts)
Additional	Cold start

All Dimensions are in millimetres. The information contained on this page was correct at date of issue. Fitting dimensions are provided as a guide only. Some variation may occur due to manufacturing tolerances. We pursue a policy of continuing improvement in design and performance of our products and so reserve the right to change specifications without prior notice.

R.T. LARGE

ESTABLISHED 1969



Flow Rates (Litres per minute)

System Pressure	0.1 Bar	0.2 Bar	0.3 Bar	0.5 Bar	1.0 Bar	1.5 Bar	2.0 Bar	3.0 Bar	4.0 Bar	5.0 Bar
	3.1	-	4.2	5.1	6.7	-	9.1	11.0	12.6	14.0

All Dimensions are in millimetres. The information contained on this page was correct at date of issue. Fitting dimensions are provided as a guide only. Some variation may occur due to manufacturing tolerances. We pursue a policy of continuing improvement in design and performance of our products and so reserve the right to change specifications without prior notice.