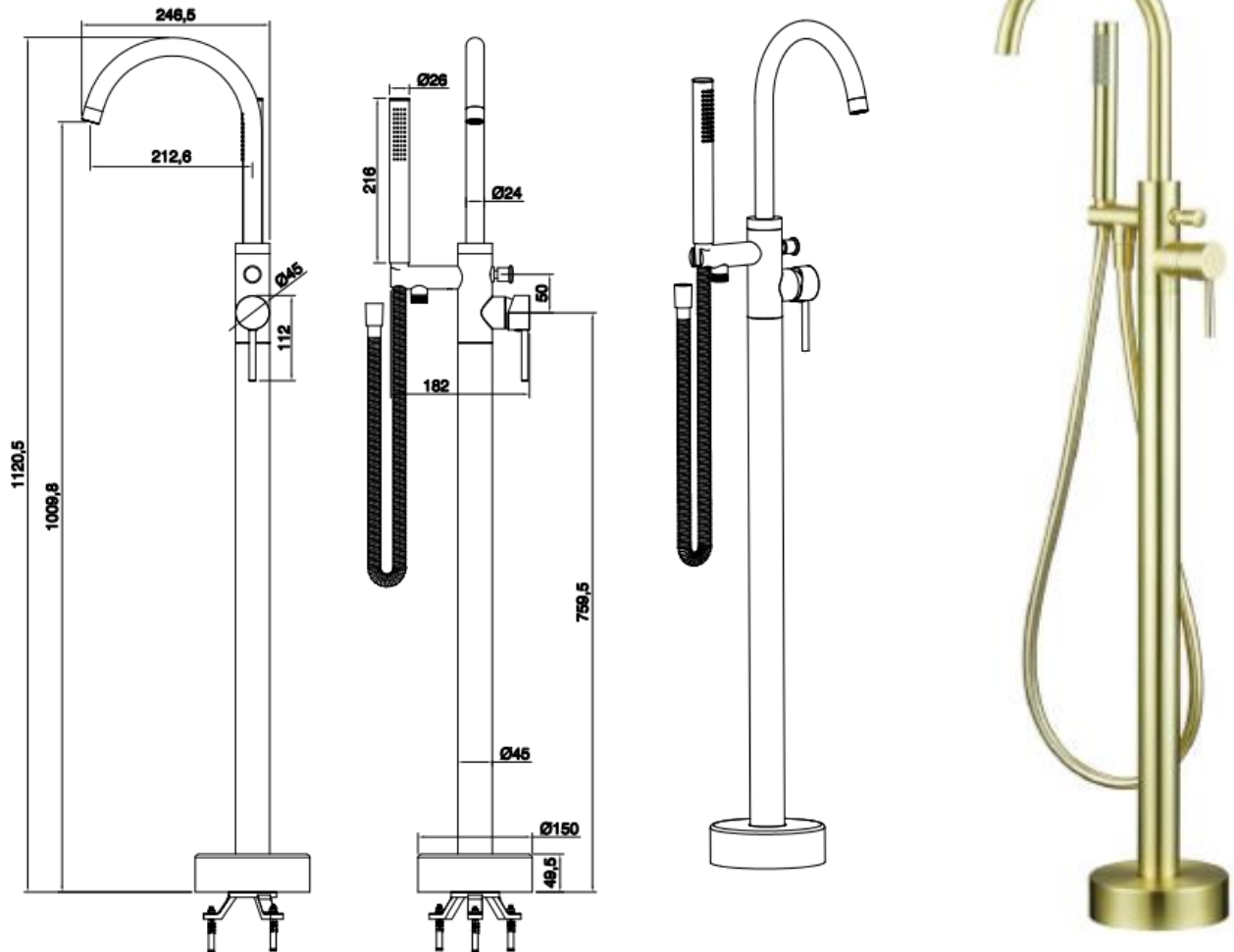


Technical Data Information

Giro Brushed Brass Freestanding Bath Shower Mixer
AVG88BB

R.T. LARGE

ESTABLISHED 1969



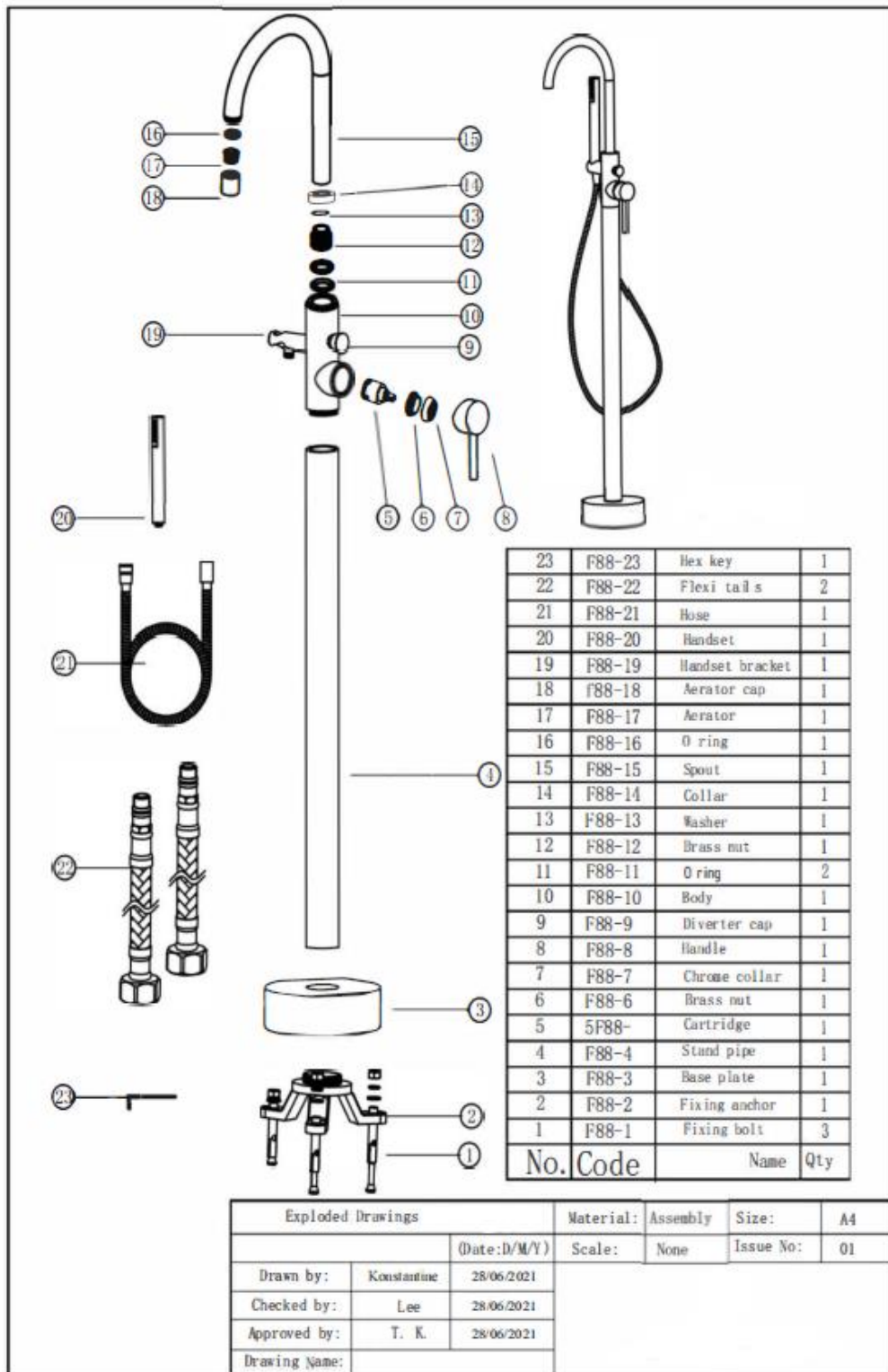
INFORMATION

Construction	Brass Body (CuZn40Pb2), EN CW617N (equivalent to BS CZ122) Zinc-alloy Handle
Finishes	Brushed Brass/ PVD Finish
Product Type	Contemporary
Water Pressure	Min. 0.5 bar (handset) 1.5 bar (spout), Max. 6.0 bar
Plumbing Systems	Suitable for all plumbing systems, Hot and Cold water pressure preferably balanced Max. supply pressure differential requirement no greater than 5:1
Standards	Complies with BS5412, BS EN200
Certification	Manufactured to comply with WRAS
Cartridge	WANHAI 35mm high flow Ceramic disc cartridge
Fitting	Stainless steel M12 x G3/4" BSP Female Flexible inlet connection hoses, 950mm
Aerator	Laminar stream straightener
Packaging	94.5 x 34.5 x 40cm / carton (4 boxes), Dimension: 93 x 33 x 9.5cm / box; Weight: 4.88Kg / box
Guarantee	10 years against manufacturing faults (excluding serviceable parts)
Additional Information	Supplied with Brushed brass shower handset & 1.5m smooth PVC Shower hose

All Dimensions are in millimetres | All Dimensions in mm have a tolerance of ± 1 mm. The information contained on this page was correct at date of issue. Fitting dimensions are provided as a guide only. Some variation may occur due to manufacturing tolerances. We pursue a policy of continuing improvement in design and performance of our products and so reserve the right to change specifications without prior notice.

R.T. LARGE

ESTABLISHED 1969



Flow Rates (Litres per minute)

System Pressure	0.1 Bar	0.2 Bar	0.3 Bar	0.5 Bar	1.0 Bar	1.5 Bar	2.0 Bar	3.0 Bar	4.0 Bar	5.0 Bar
	2.7	3.2	3.6	4.3	6.0	7.5	8.4	10.2	11.7	13.1

All Dimensions are in millimetres | All Dimensions in mm have a tolerance of ± 1 mm. The information contained on this page was correct at date of issue. Fitting dimensions are provided as a guide only. Some variation may occur due to manufacturing tolerances. We pursue a policy of continuing improvement in design and performance of our products and so reserve the right to change specifications without prior notice.