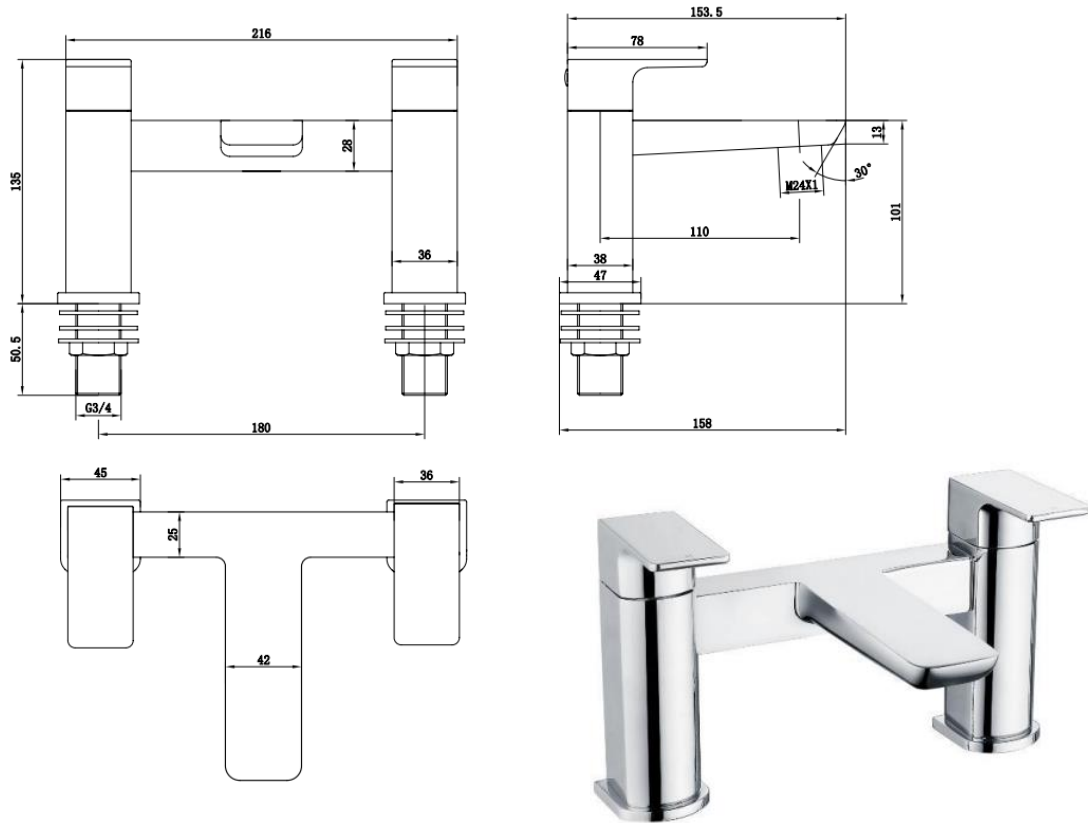


## Technical Data Information

Saldo Chrome Bath Filler  
AVHD03

# R.T. LARGE

ESTABLISHED 1969



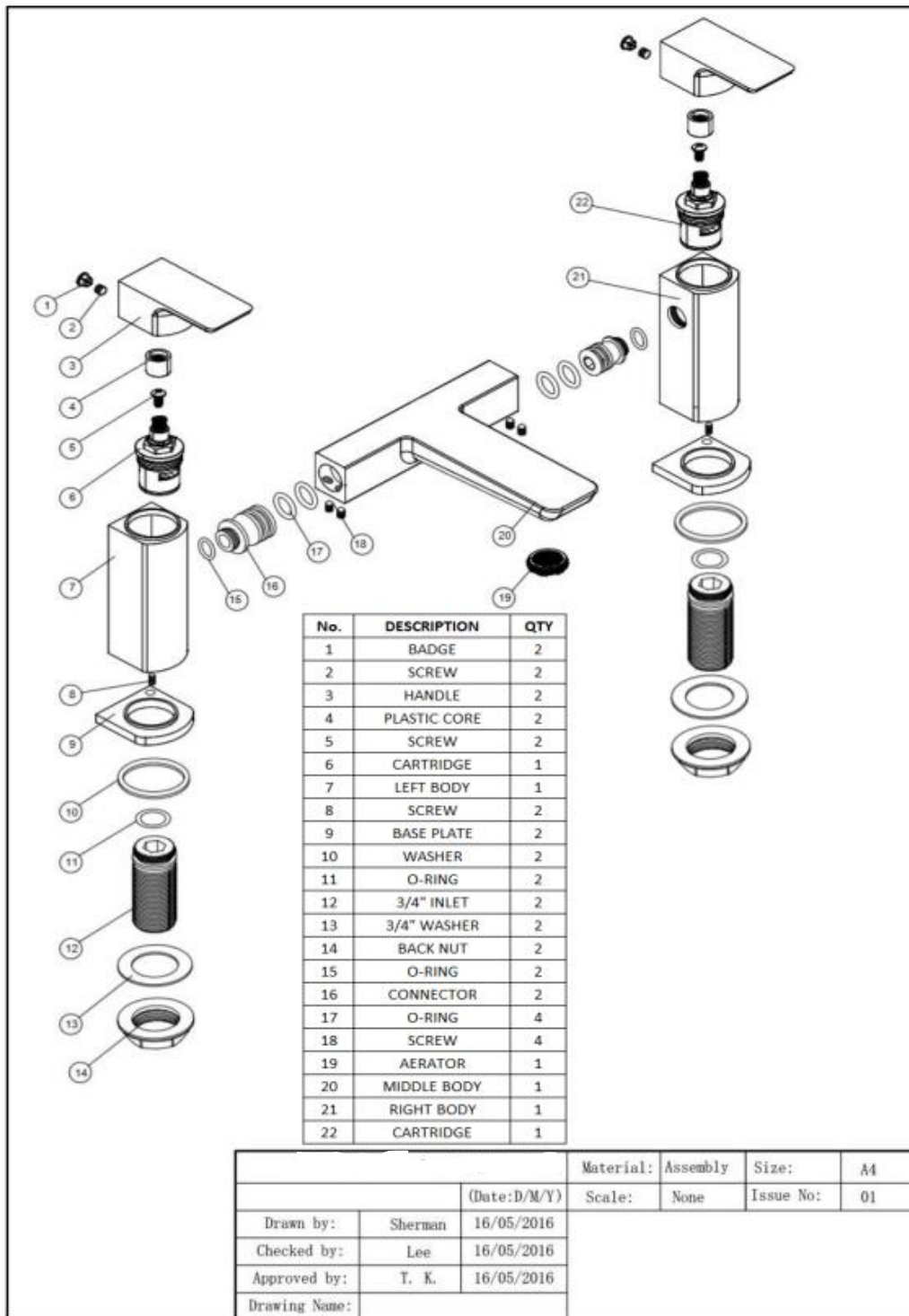
## INFORMATION

|                         |   |
|-------------------------|---|
| <b>Construction</b>     | Brass Body CuZn40Pb2, EN CW617N (equivalent to BS CZ122)                                  |
| <b>Finishes</b>         | Chrome plated to BS EN 248  |
| <b>Product Type</b>     | Contemporary  |
| <b>Water Pressure</b>   | Min. 0.2 bar, Max. 6.0 bar  |
| <b>Plumbing Systems</b> | Suitable for all plumbing systems   |
| <b>Standards</b>        | Complies with BS5412, BS EN200  |
| <b>Certification</b>    | Manufactured to comply with WRAS  |
| <b>Cartridge</b>        | 1/4 Turn 3/4" Ceramic Disc Valves   |
| <b>Fitting</b>          | 3/4" BSP tails  |
| <b>Aerator</b>          | Neoperl aerator   |
| <b>Packaging</b>        | 49 x 28 x 34.5cm / carton (4 boxes / carton); Box size: 24.5x21.5x15.5cm;                 |
| <b>Guarantee</b>        | Weight: 3.2kg/box<br>10 years against manufacturing faults (excluding serviceable parts). |

All Dimensions are in millimetres. The information contained on this page was correct at date of issue. Fitting dimensions are provided as a guide only. Some variation may occur due to manufacturing tolerances. We pursue a policy of continuing improvement in design and performance of our products and so reserve the right to change specifications without prior notice.

# R.T. LARGE

ESTABLISHED 1969



### Flow Rates (Litres per minute)

| System Pressure | 0.1 Bar | 0.2 Bar | 0.3 Bar | 0.5 Bar | 1.0 Bar | 1.5 Bar | 2.0 Bar | 3.0 Bar | 4.0 Bar | 5.0 Bar |
|-----------------|---------|---------|---------|---------|---------|---------|---------|---------|---------|---------|
| HD03            | 11.9    | 16.0    | -       | 24.6    | 32.8    | 42.0    | 48.5    | 53.9    | -       | -       |

The information contained on this page was correct at date of issue. Fitting dimensions are provided as a guide only. Some variation may occur due to manufacturing tolerances. We pursue a policy of continuing improvement in design and performance of our products and so reserve the right to change specifications without prior notice.

All Dimensions are in millimetres. The information contained on this page was correct at date of issue. Fitting dimensions are provided as a guide only. Some variation may occur due to manufacturing tolerances. We pursue a policy of continuing improvement in design and performance of our products and so reserve the right to change specifications without prior notice.