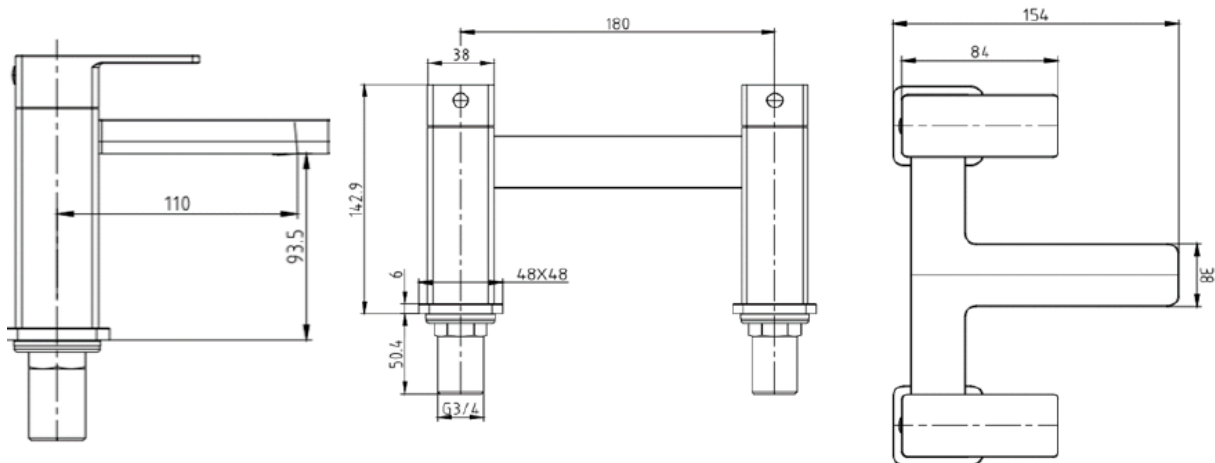
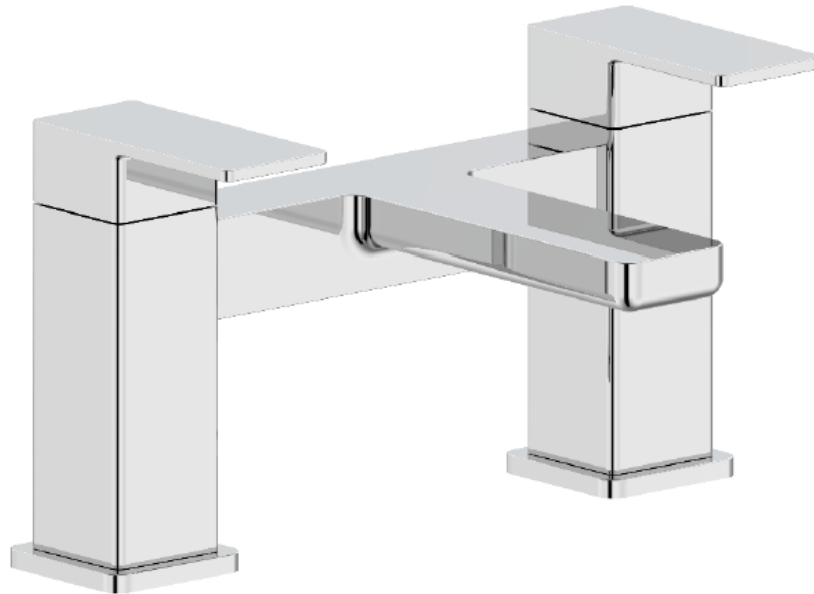


## Technical Data Information

Rivo Chrome Bath Filler  
AVRZ03

# R.T. LARGE

ESTABLISHED 1969



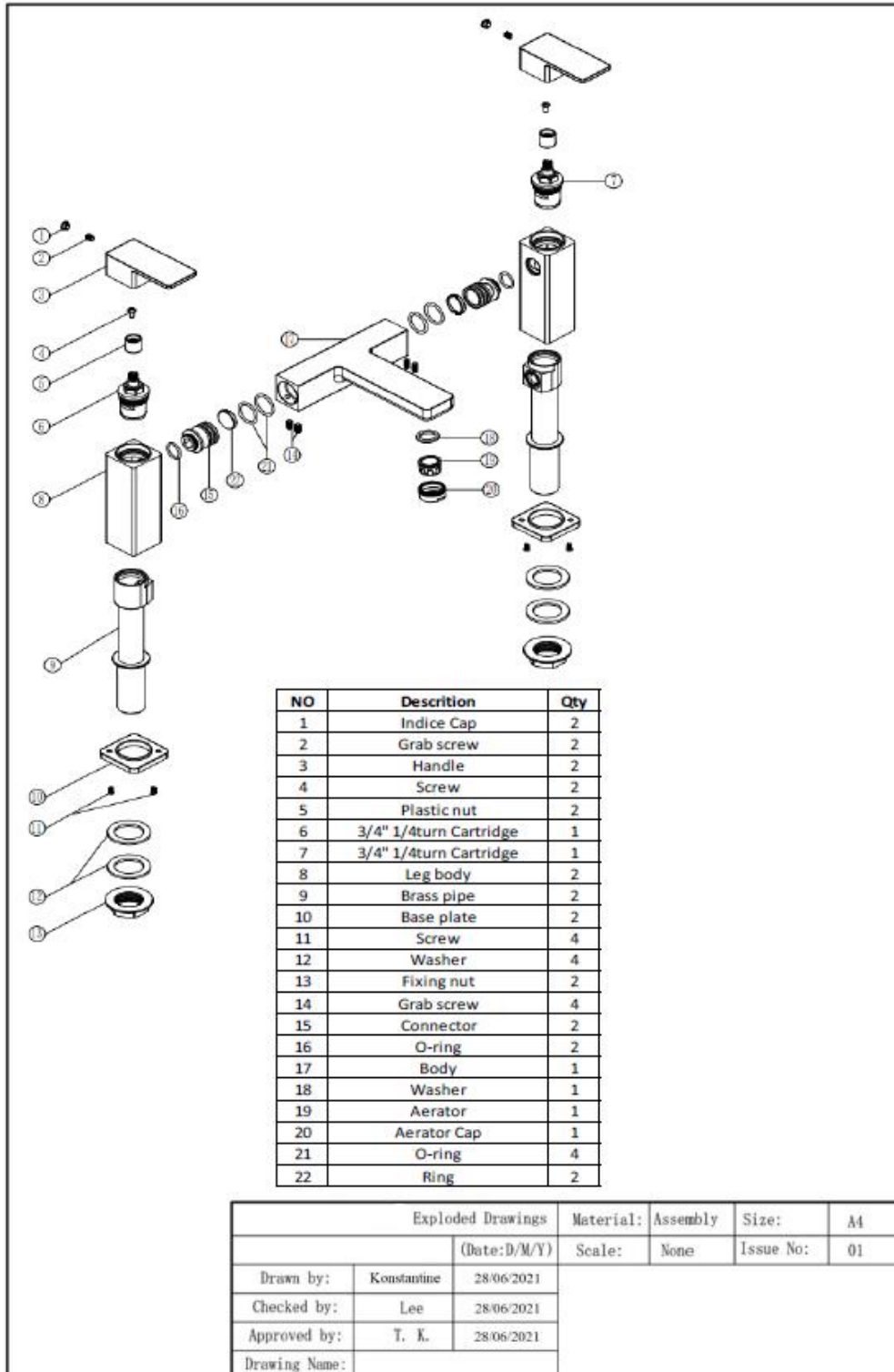
## INFORMATION

<b>Construction</b>	Brass Body; Zinc-alloy Handles
<b>Finishes</b>	Chrome
<b>Product Type</b>	Contemporary
<b>Water Pressure</b>	Min. 0.5 bar, Max. 6.0 bar
<b>Plumbing Systems</b>	Suitable for all plumbing systems, Hot and Cold water pressure preferably balanced Max. supply pressure differential requirement no greater than 5:1
<b>Cartridge</b>	Ceramic disc valves
<b>Fitting</b>	G <sup>3</sup> / <sub>4</sub> " BSP tails
<b>Packaging</b>	35.5 x 26.5 x 42cm / carton (10 boxes), Dimension: 25.5 x 21.5 x 18cm / box; Weight: 2.54Kg / box
<b>Guarantee</b>	10 years against manufacturing faults (excluding serviceable parts)

All Dimensions are in millimetres. The information contained on this page was correct at date of issue. Fitting dimensions are provided as a guide only. Some variation may occur due to manufacturing tolerances. We pursue a policy of continuing improvement in design and performance of our products and so reserve the right to change specifications without prior notice.

# R.T. LARGE

ESTABLISHED 1969



## Flow Rates (Litres per minute)

System Pressure	0.1 Bar	0.2 Bar	0.3 Bar	0.5 Bar	1.0 Bar	1.5 Bar	2.0 Bar	3.0 Bar	4.0 Bar	5.0 Bar
	-	7.1	13.0	17.6	20.0	23.0	24.0	26.8	-	-

All Dimensions are in millimetres. The information contained on this page was correct at date of issue. Fitting dimensions are provided as a guide only. Some variation may occur due to manufacturing tolerances. We pursue a policy of continuing improvement in design and performance of our products and so reserve the right to change specifications without prior notice.