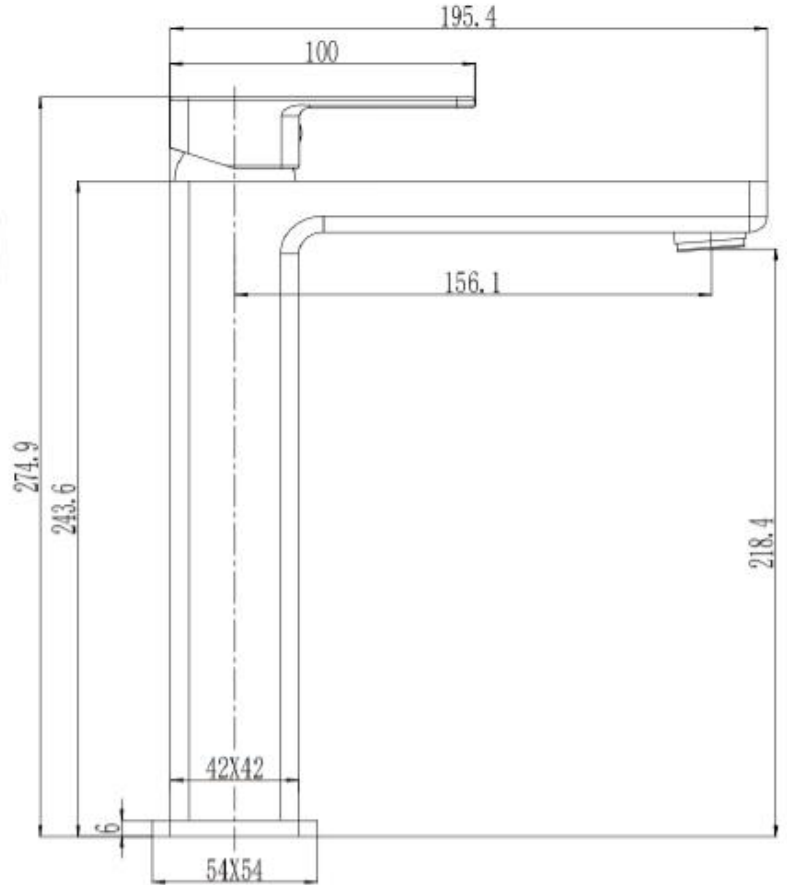


## Technical Data Information

Rivo Chrome Tall Mono Basin Mixer  
AVRZ08

# R.T. LARGE

ESTABLISHED 1969



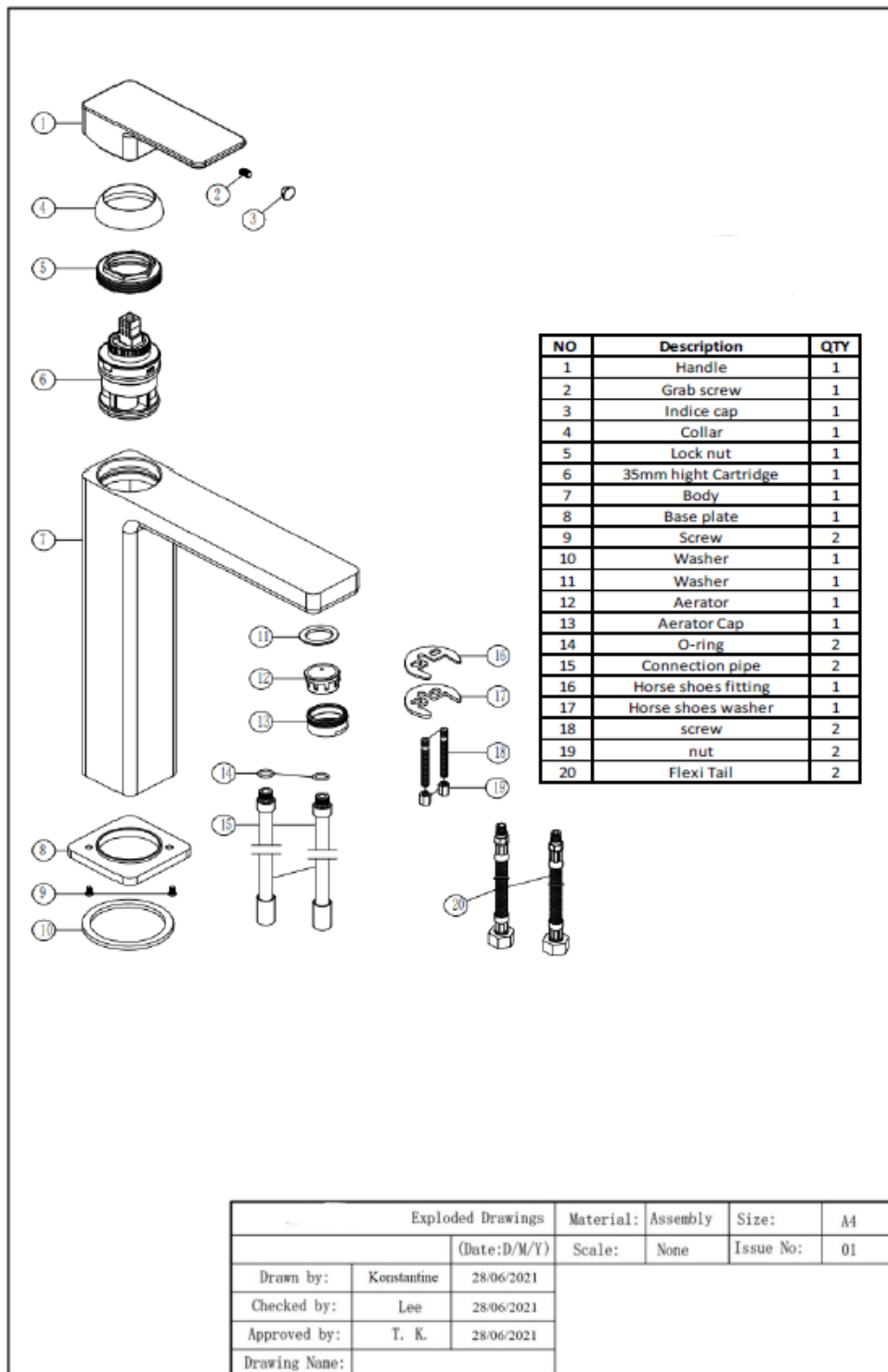
## INFORMATION

<b>Construction</b>	Brass Body (CuZn40Pb2), EN CW617N (equivalent to BS CZ122) Zinc-alloy Handle
<b>Finishes</b>	Chrome
<b>Product Type</b>	Contemporary
<b>Water Pressure</b>	Min. 0.2 bar, Max. 6.0 bar
<b>Plumbing Systems</b>	Suitable for all plumbing systems, Hot and Cold water pressure preferably balanced; Max. supply pressure differential requirement no greater than 5:1
<b>Standards</b>	Complies with BS6920, BS EN200
<b>Cartridge</b>	35mm HIGH Ceramic disc cartridge
<b>Aerator</b>	Spout aerator
<b>Fitting</b>	M10 x 400mm G1/2" BSP Female Flexi Tails
<b>Packaging</b>	44.5 x 43.5 x 32cm / carton (10 boxes), Dimension: 42 x 21.5 x 6cm / box;
<b>Guarantee</b>	10 years against manufacturing faults (excluding serviceable parts)

All Dimensions are in millimetres. The information contained on this page was correct at date of issue. Fitting dimensions are provided as a guide only. Some variation may occur due to manufacturing tolerances. We pursue a policy of continuing improvement in design and performance of our products and so reserve the right to change specifications without prior notice.

# R.T. LARGE

ESTABLISHED 1969



## Flow Rates (Litres per minute)

System Pressure	0.1 Bar	0.2 Bar	0.3 Bar	0.5 Bar	1.0 Bar	1.5 Bar	2.0 Bar	3.0 Bar	4.0 Bar	5.0 Bar
	-	3.2	-	5.0	7.3	8.8	9.9	12.5	-	15.7

All Dimensions are in millimetres. The information contained on this page was correct at date of issue. Fitting dimensions are provided as a guide only. Some variation may occur due to manufacturing tolerances. We pursue a policy of continuing improvement in design and performance of our products and so reserve the right to change specifications without prior notice.