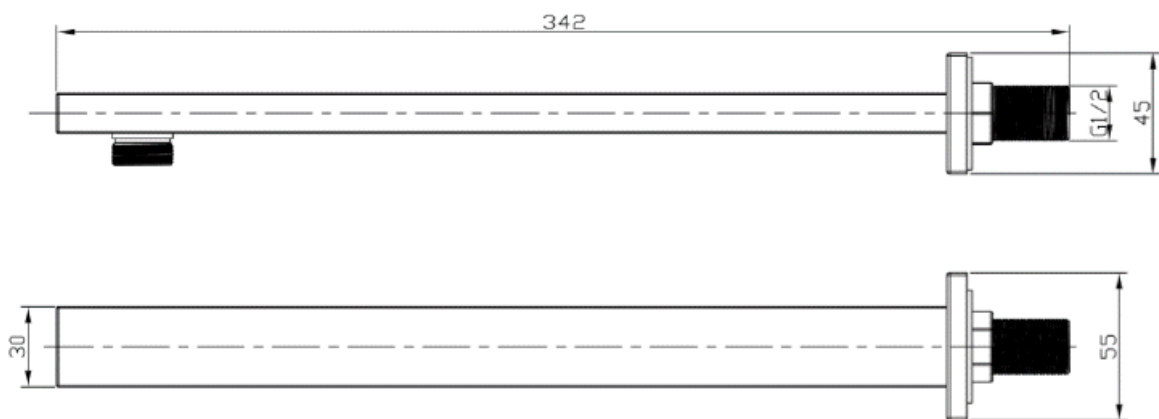


## Technical Data Information

Square Brushed Brass 300mm Shower Arm  
AVSA02BB

# R.T. LARGE

ESTABLISHED 1969



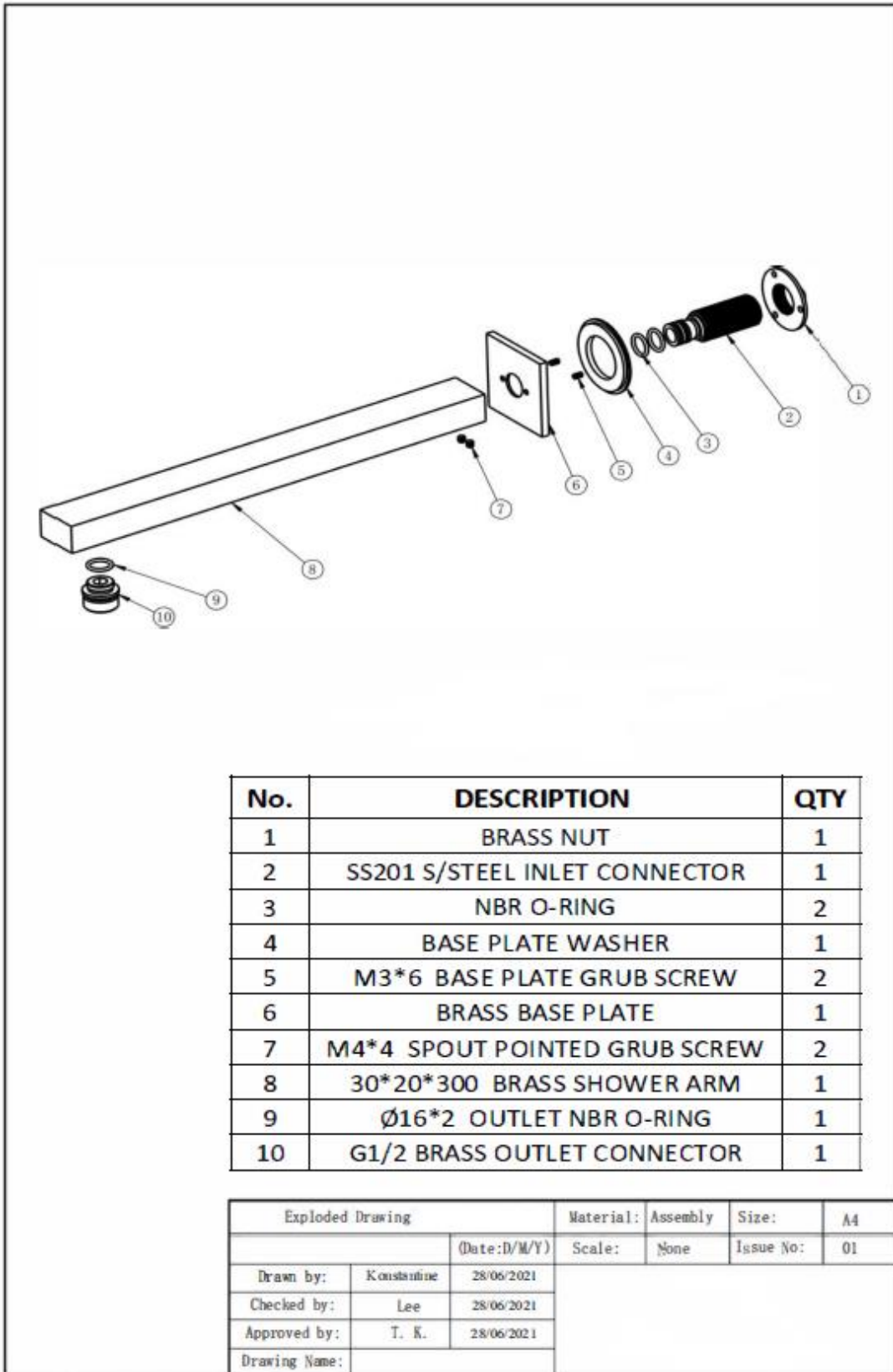
## INFORMATION

<b>Construction</b>	Brass
<b>Finishes</b>	Brushed Brass/PVD Finish
<b>Product Type</b>	Contemporary
<b>Plumbing Systems</b>	Suitable for all plumbing systems, Hot and Cold water pressure preferably balanced Max. supply pressure differential requirement no greater than 5:1
<b>Fitting</b>	G1/2" BSP
<b>Packaging</b>	60 x 44.5 x 34cm / carton (50 boxes), Dimension: 38 x 6.5 x 6.5cm / box; Weight: 0.52Kg / box
<b>Guarantee</b>	5 years against manufacturing faults (excluding serviceable parts)

All Dimensions are in millimetres. The information contained on this page was correct at date of issue. Fitting dimensions are provided as a guide only. Some variation may occur due to manufacturing tolerances. We pursue a policy of continuing improvement in design and performance of our products and so reserve the right to change specifications without prior notice.

# R.T. LARGE

ESTABLISHED 1969



No.	DESCRIPTION	QTY
1	BRASS NUT	1
2	SS201 S/STEEL INLET CONNECTOR	1
3	NBR O-RING	2
4	BASE PLATE WASHER	1
5	M3*6 BASE PLATE GRUB SCREW	2
6	BRASS BASE PLATE	1
7	M4*4 SPOUT POINTED GRUB SCREW	2
8	30*20*300 BRASS SHOWER ARM	1
9	Ø16*2 OUTLET NBR O-RING	1
10	G1/2 BRASS OUTLET CONNECTOR	1

Exploded Drawing			Material:	Assembly	Size:	A4
			(Date: D/M/Y)	Scale:	None	Issue No: 01
Drawn by:	Konstantine	28/06/2021				
Checked by:	Lee	28/06/2021				
Approved by:	T. K.	28/06/2021				
Drawing Name:						

All Dimensions are in millimetres. The information contained on this page was correct at date of issue. Fitting dimensions are provided as a guide only. Some variation may occur due to manufacturing tolerances. We pursue a policy of continuing improvement in design and performance of our products and so reserve the right to change specifications without prior notice.