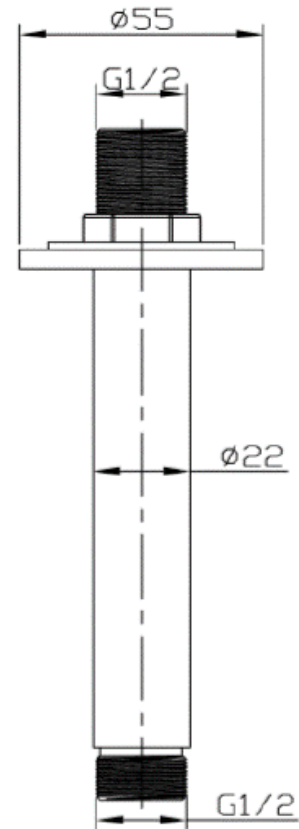


Technical Data Information

Round Black 120mm Ceiling Shower Arm
AVSA03K

R.T. LARGE

ESTABLISHED 1969



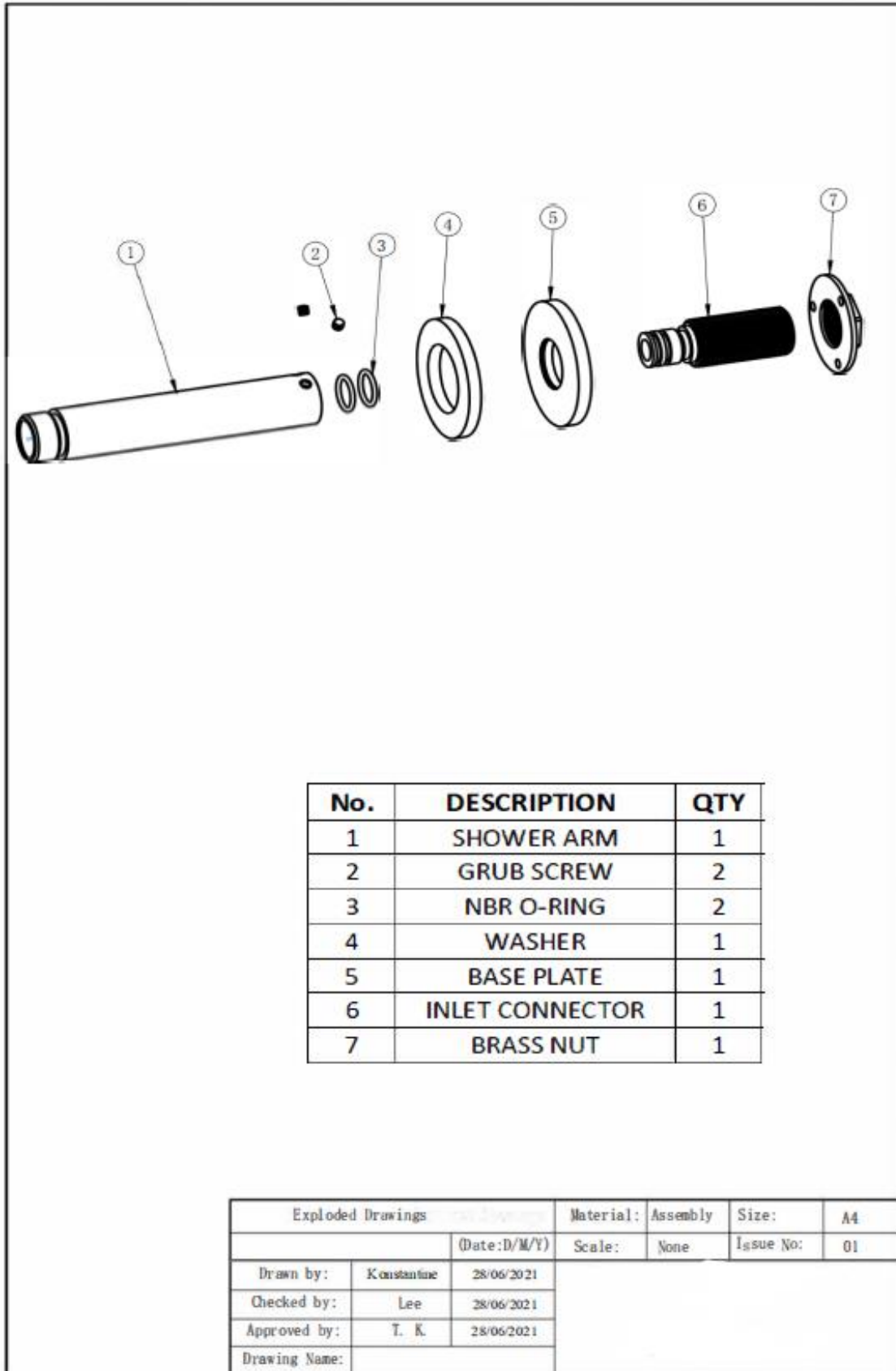
INFORMATION

Construction	Brass Body (CuZn38Pb18)
Finishes	Matt Black/Electroplating Finish
Product Type	Contemporary
Plumbing Systems	Suitable for all plumbing systems
Certification	Manufactured to comply with WRAS
Fitting	G1/2" BSP external (male) thread
Packaging	43.5 x 38 x 36.5cm / carton (100 boxes), Dimension: 19 x 4.5 x 6cm / box; Weight: 0.235Kg / box
Guarantee	1 years against manufacturing faults (excluding serviceable parts)
Additional Information	-

All Dimensions are in millimetres. The information contained on this page was correct at date of issue. Fitting dimensions are provided as a guide only. Some variation may occur due to manufacturing tolerances. We pursue a policy of continuing improvement in design and performance of our products and so reserve the right to change specifications without prior notice.

R.T. LARGE

ESTABLISHED 1969



All Dimensions are in millimetres. The information contained on this page was correct at date of issue. Fitting dimensions are provided as a guide only. Some variation may occur due to manufacturing tolerances. We pursue a policy of continuing improvement in design and performance of our products and so reserve the right to change specifications without prior notice.