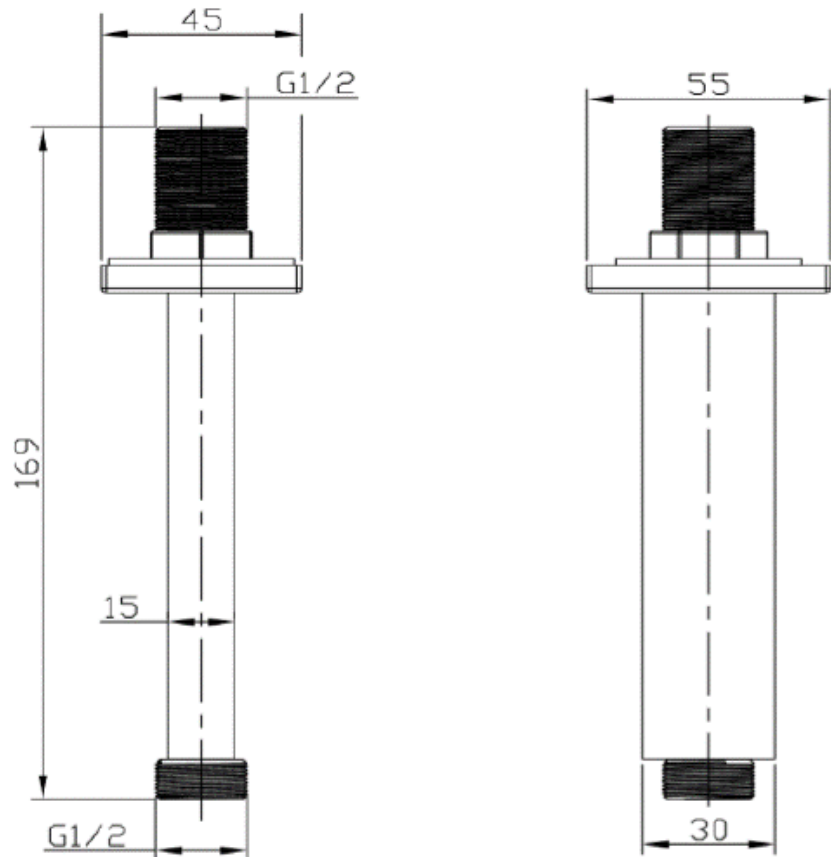


## Technical Data Information

Square Black 120mm Ceiling Shower Arm  
AVSA04K

# R.T. LARGE

ESTABLISHED 1969



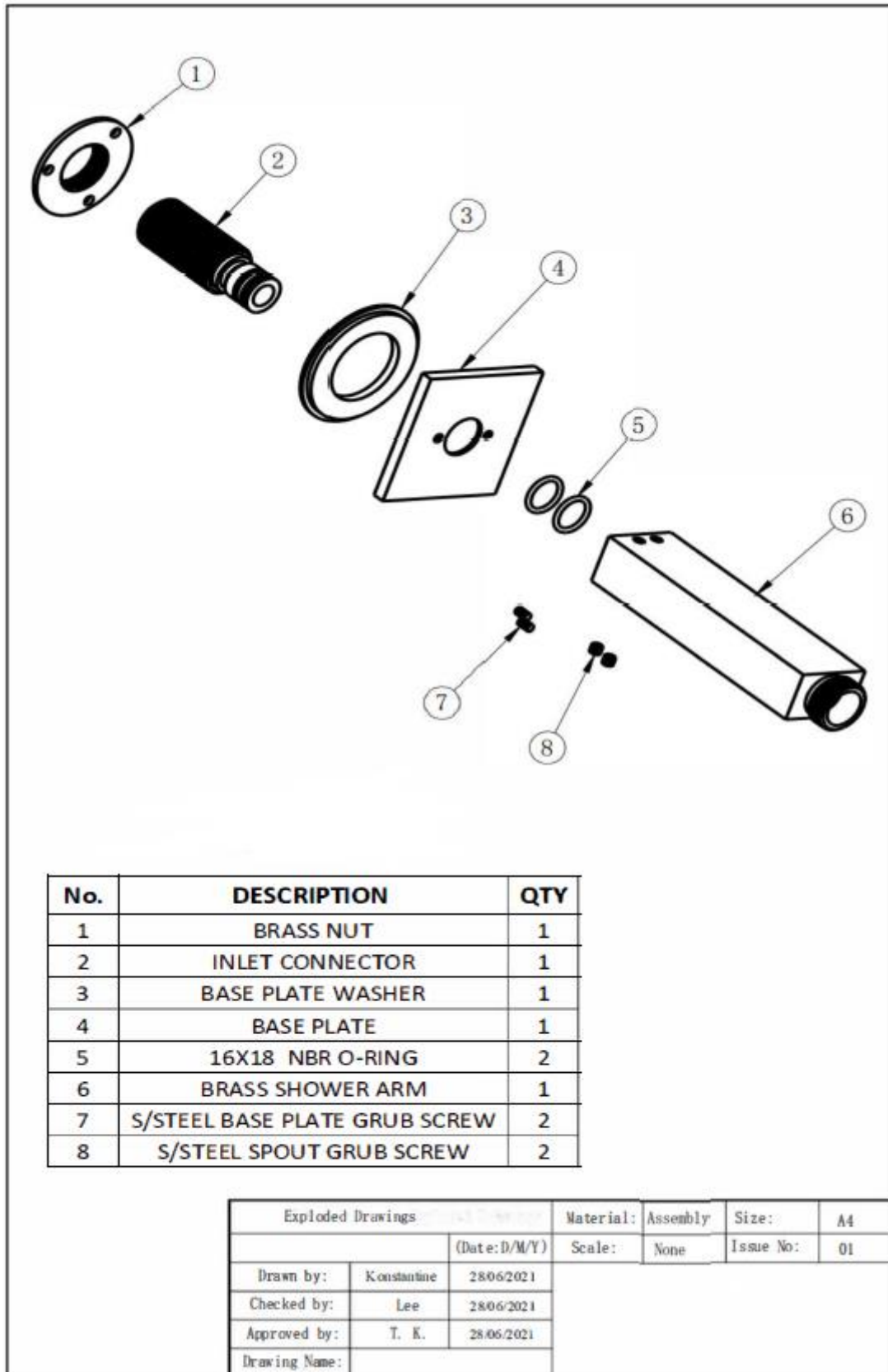
## INFORMATION

<b>Construction</b>	Brass Body (CuZn38Pb18)
<b>Finishes</b>	Matt Black/Electroplating Finish
<b>Product Type</b>	Contemporary
<b>Plumbing Systems</b>	Suitable for all plumbing systems
<b>Certification</b>	Manufactured to comply with WRAS
<b>Fitting</b>	G1/2" BSP external (male) thread
<b>Packaging</b>	68.5 x 39 x 35cm / carton (100 boxes), Dimension: 18.6 x 6.6 x 6.6cm / box; Weight: 0.33Kg / box
<b>Guarantee</b>	1 years against manufacturing faults (excluding serviceable parts)
<b>Additional Information</b>	Length: 120mm

All Dimensions are in millimetres. The information contained on this page was correct at date of issue. Fitting dimensions are provided as a guide only. Some variation may occur due to manufacturing tolerances. We pursue a policy of continuing improvement in design and performance of our products and so reserve the right to change specifications without prior notice.

# R.T. LARGE

ESTABLISHED 1969



All Dimensions are in millimetres. The information contained on this page was correct at date of issue. Fitting dimensions are provided as a guide only. Some variation may occur due to manufacturing tolerances. We pursue a policy of continuing improvement in design and performance of our products and so reserve the right to change specifications without prior notice.