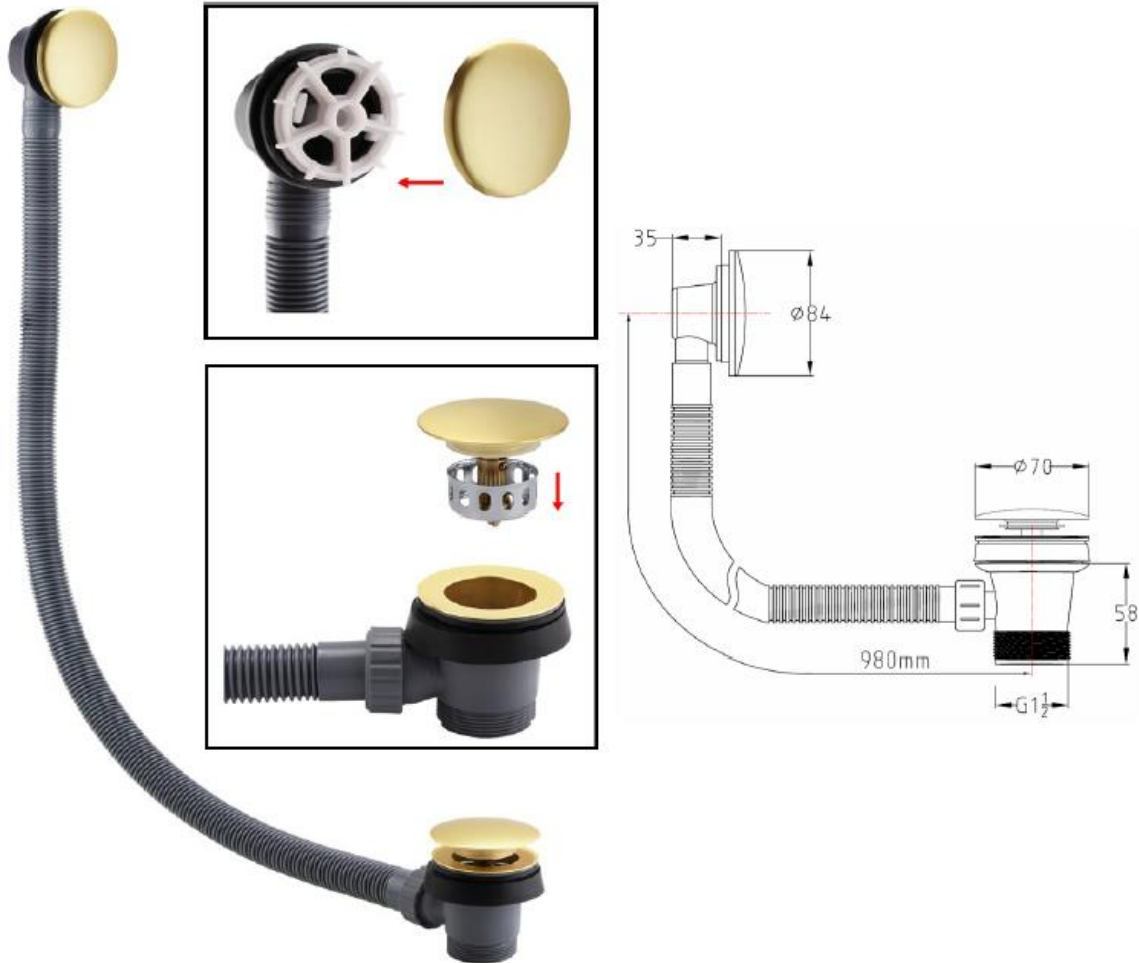


## Technical Data Information

Brushed Brass Bath Waste Click Clack  
AVWA900EBB

# R.T. LARGE

ESTABLISHED 1969



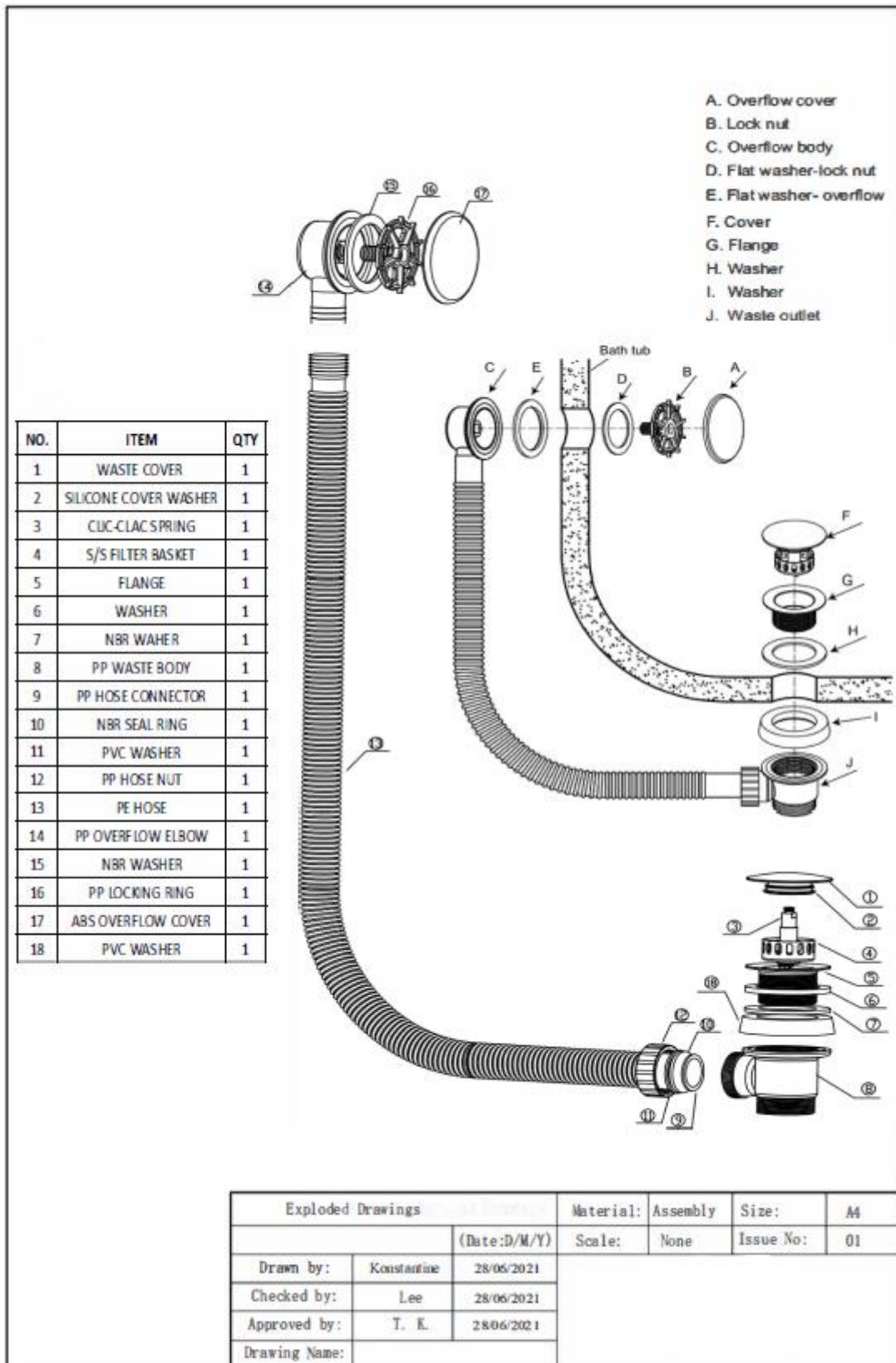
## INFORMATION

<b>Construction</b>	Brass, Stainless steel, Polypropylene & ABS
<b>Finishes</b>	Brushed Brass/ PVD finish
<b>Product Type</b>	Contemporary
<b>Water Pressure</b>	Min. 0.2 bar, Max. 5.0 bar
<b>Plumbing Systems</b>	Suitable for all plumbing systems
<b>Standards</b>	-
<b>Certification</b>	-
<b>Fitting</b>	Polypropylene G1-1/2" BSP Male thread
<b>Packaging</b>	60 x 47 x 42.5cm / carton (20 boxes), Dimension: 45 x 14.5 x 8cm / box; Weight: 0.66Kg / box
<b>Guarantee</b>	1 year against manufacturing faults (excluding serviceable parts)
<b>Additional Information</b>	Centre to centre length: 980mm, suitable for Bath tub with 5-17mm thickness

All Dimensions are in millimetres | All Dimensions in mm have a tolerance of  $\pm 1$ mm. The information contained on this page was correct at date of issue. Fitting dimensions are provided as a guide only. Some variation may occur due to manufacturing tolerances. We pursue a policy of continuing improvement in design and performance of our products and so reserve the right to change specifications without prior notice.

# R.T. LARGE

ESTABLISHED 1969



All Dimensions are in millimetres | All Dimensions in mm have a tolerance of  $\pm 1$ mm. The information contained on this page was correct at date of issue. Fitting dimensions are provided as a guide only. Some variation may occur due to manufacturing tolerances. We pursue a policy of continuing improvement in design and performance of our products and so reserve the right to change specifications without prior notice.