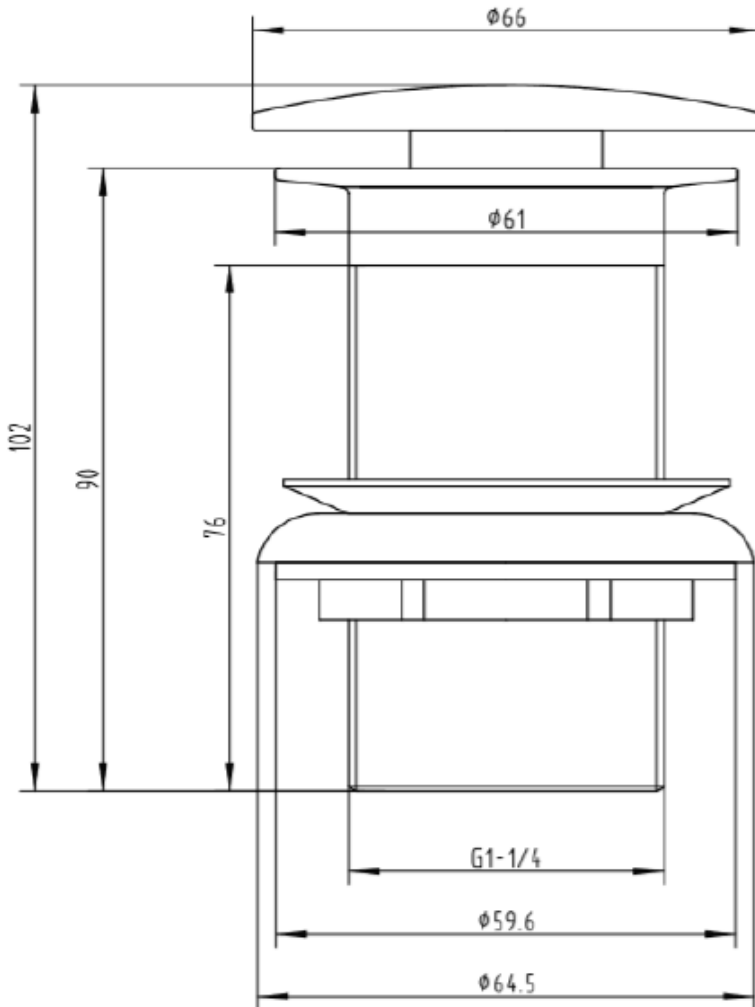


Technical Data Information

Chrome Unslotted Waste
AVWA91

R.T. LARGE

ESTABLISHED 1969



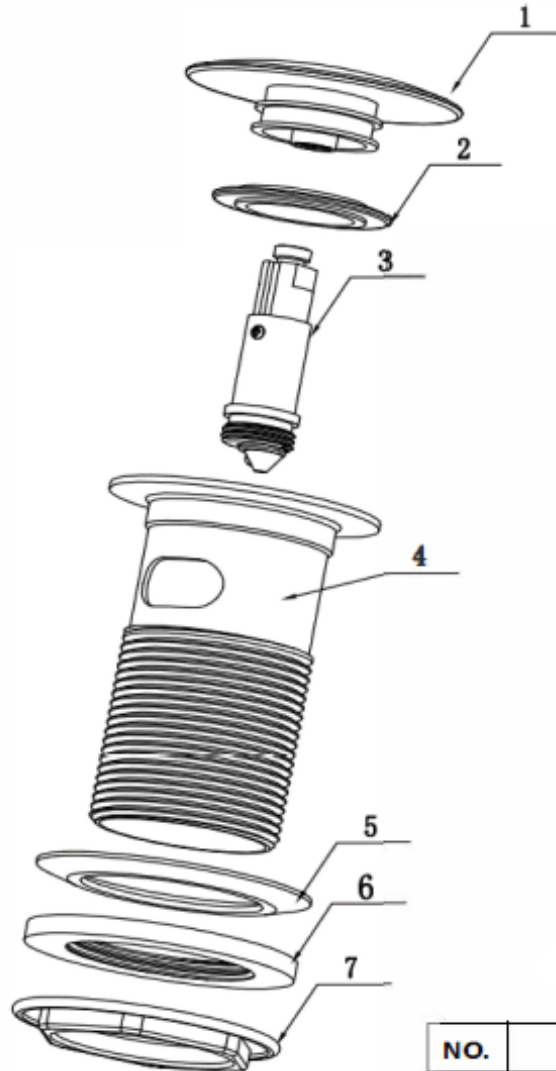
INFORMATION

Construction	SS202 Stainless steel body; SS304 Stainless steel cover; Brass clic-clac spring
Finishes	Chrome
Product Type	Contemporary
Water Pressure	Min. 0.2 bar, Max. 5.0 bar
Plumbing Systems	Suitable for all plumbing systems
Certification	-
Fitting	G1-1/4" BSP Male Thread - Outside Diameter 40.5+/-0.25mm
Packaging	47.5 x 25.5 x 40.5cm / carton (60 boxes), Dimension: 11.5 x 7.5 x 7.5cm / box; Weight: 0.235Kg / box
Guarantee	6 months against manufacturing faults (excluding serviceable parts)
Additional Information	Size: 90mm tall

All Dimensions are in millimetres. The information contained on this page was correct at date of issue. Fitting dimensions are provided as a guide only. Some variation may occur due to manufacturing tolerances. We pursue a policy of continuing improvement in design and performance of our products and so reserve the right to change specifications without prior notice.

R.T. LARGE

ESTABLISHED 1969



NO.	ITEM	QTY
1	WASTE COVER	1
2	SILICONE COVER WASHER	1
3	CLIC-CLAC SPRING	1
4	WASTE BODY	1
5	SILICONE UPPER WASHER	1
6	SILICONE BASE WASHER	1
7	BRASS LOCK NUT	1

Exploded Drawings			Material:	Assembly	Size:	A4
(Date: D/M/Y)			Scale:	None	Issue No:	01
Drawn by:	Konstantine	28/06/2021				
Checked by:	Lee	28/06/2021				
Approved by:	T. K.	28/06/2021				
Drawing Name:						

All Dimensions are in millimetres. The information contained on this page was correct at date of issue. Fitting dimensions are provided as a guide only. Some variation may occur due to manufacturing tolerances. We pursue a policy of continuing improvement in design and performance of our products and so reserve the right to change specifications without prior notice.