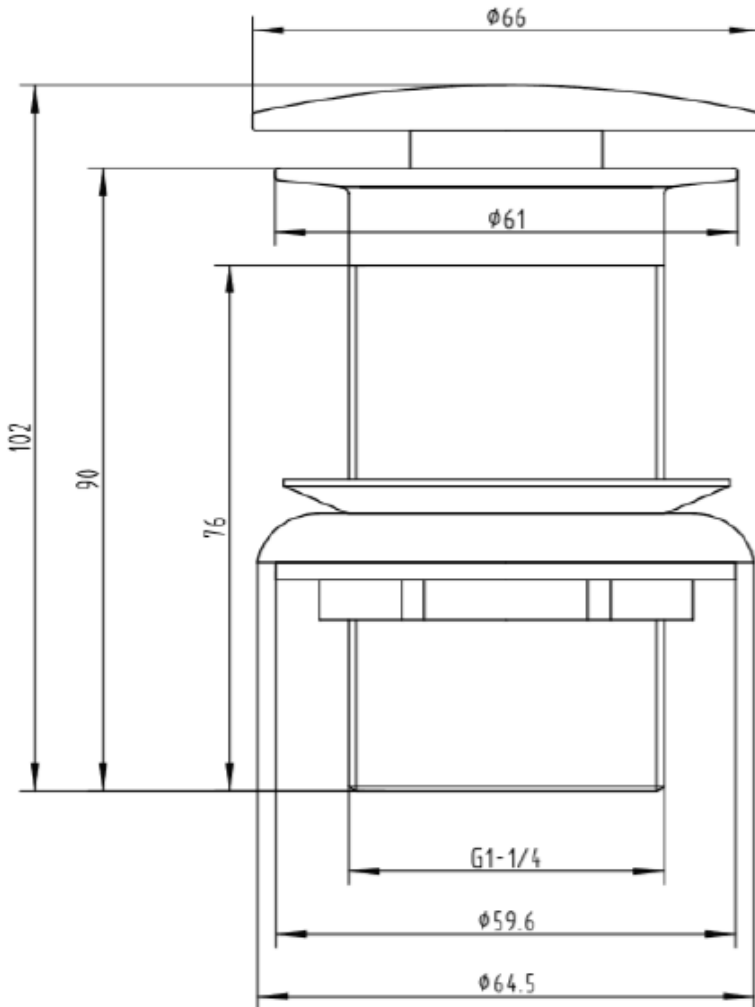


Technical Data Information

Black Unslotted Waste
AVWA91K

R.T. LARGE

ESTABLISHED 1969



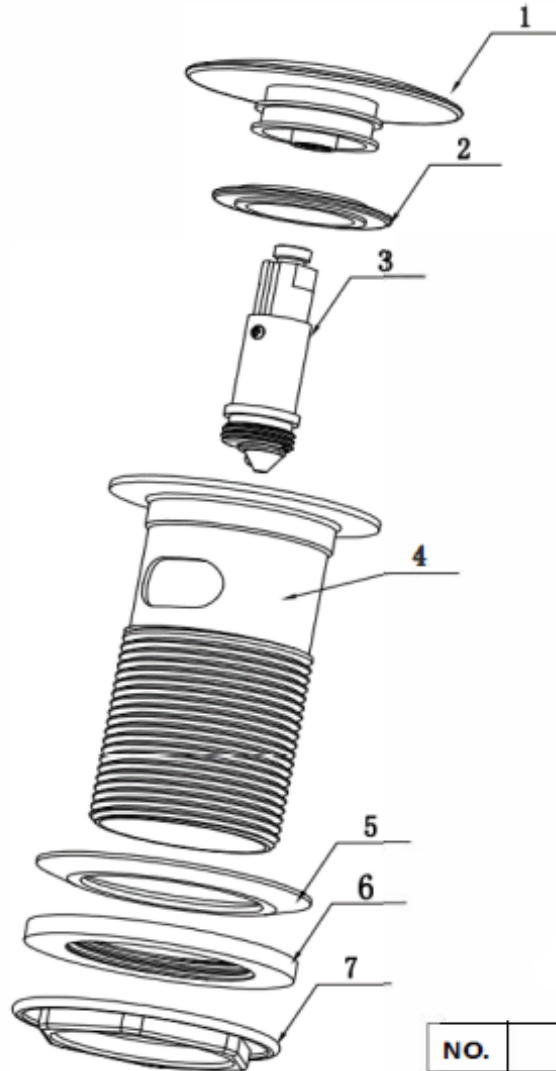
INFORMATION

| | |
|-------------------------------|---|
| Construction | SS202 Stainless steel body; SS304 Stainless steel cover; Brass clic-clac spring |
| Finishes | Matt Black /Electroplating finish |
| Product Type | Contemporary |
| Water Pressure | Min. 0.2 bar, Max. 5.0 bar |
| Plumbing Systems | Suitable for all plumbing systems |
| Certification | - |
| Fitting | G1-1/4" BSP Male Thread - Outside Diameter 40.5+/-0.25mm |
| Packaging | 47.5 x 25.5 x 40.5cm / carton (60 boxes), Dimension: 11.5 x 7.5 x 7.5cm / box; Weight: 0.235Kg / box |
| Guarantee | 6 months against manufacturing faults (excluding serviceable parts) |
| Additional Information | Size: 90mm tall |

All Dimensions are in millimetres. The information contained on this page was correct at date of issue. Fitting dimensions are provided as a guide only. Some variation may occur due to manufacturing tolerances. We pursue a policy of continuing improvement in design and performance of our products and so reserve the right to change specifications without prior notice.

R.T. LARGE

ESTABLISHED 1969



| NO. | ITEM | QTY |
|-----|-----------------------|-----|
| 1 | WASTE COVER | 1 |
| 2 | SILICONE COVER WASHER | 1 |
| 3 | CLIC-CLAC SPRING | 1 |
| 4 | WASTE BODY | 1 |
| 5 | SILICONE UPPER WASHER | 1 |
| 6 | SILICONE BASE WASHER | 1 |
| 7 | BRASS LOCK NUT | 1 |

| Exploded Drawings | | | Material: | Assembly | Size: | A4 |
|-------------------|-------------|------------|---------------|----------|-------|--------------|
| | | | (Date: D/M/Y) | Scale: | None | Issue No: 01 |
| Drawn by: | Konstantine | 28/06/2021 | | | | |
| Checked by: | Lee | 28/06/2021 | | | | |
| Approved by: | T. K. | 28/06/2021 | | | | |
| Drawing Name: | | | | | | |

All Dimensions are in millimetres. The information contained on this page was correct at date of issue. Fitting dimensions are provided as a guide only. Some variation may occur due to manufacturing tolerances. We pursue a policy of continuing improvement in design and performance of our products and so reserve the right to change specifications without prior notice.