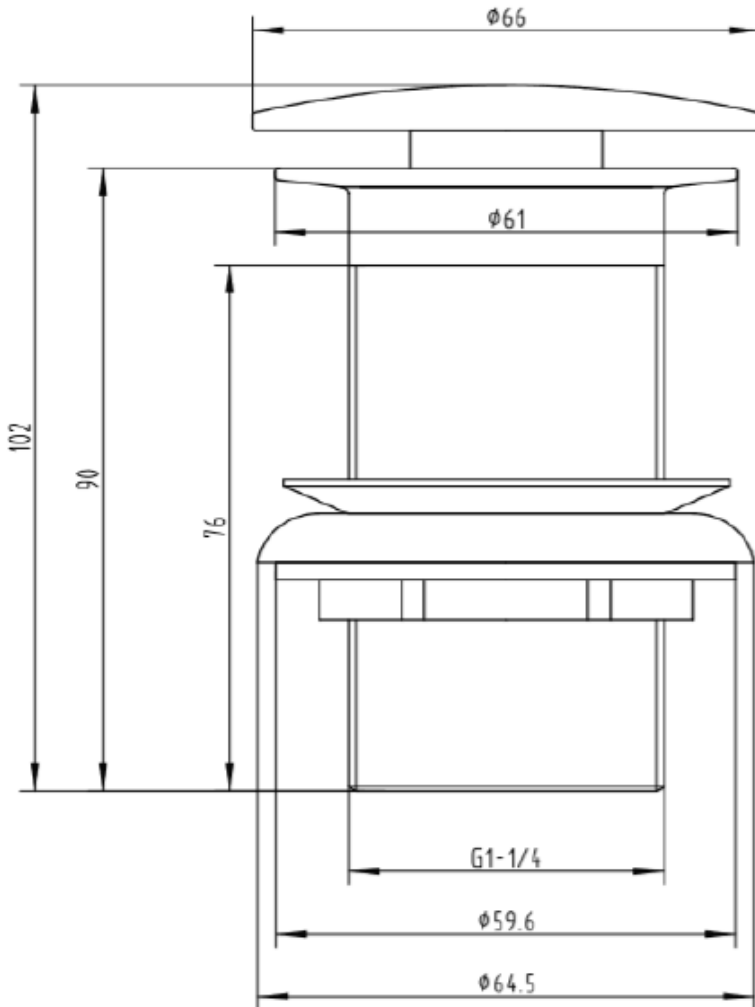


## Technical Data Information

Gunmetal Grey Unslotted Waste  
AVWA91MG

# R.T. LARGE

ESTABLISHED 1969



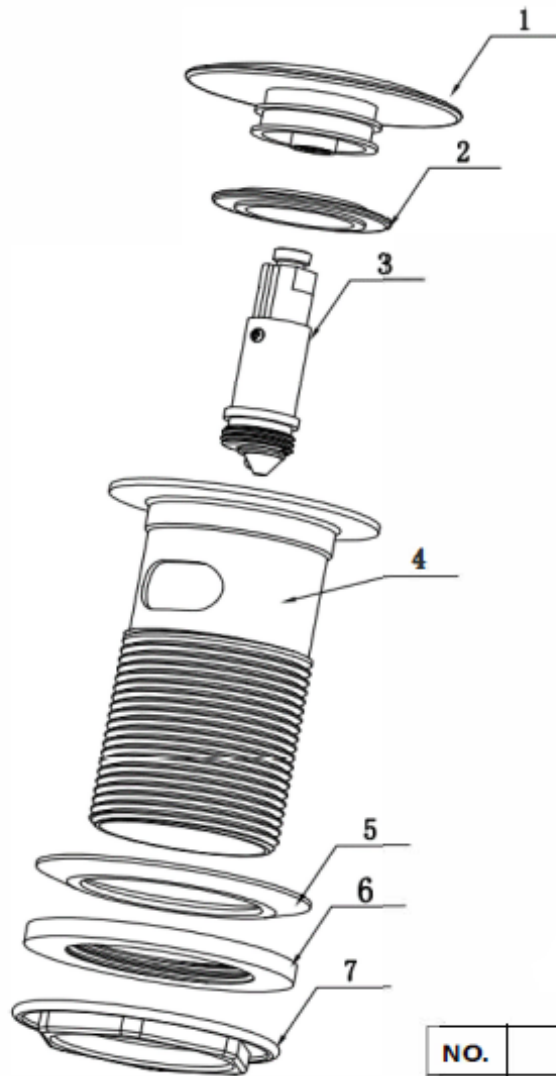
## INFORMATION

<b>Construction</b>	SS202 Stainless steel Body; SS304 Stainless steel Cover; Brass clic-clac Spring
<b>Finishes</b>	Gunmetal Grey / PVD Finish
<b>Product Type</b>	Contemporary
<b>Water Pressure</b>	Min. 0.2 bar, Max. 5.0 bar
<b>Plumbing Systems</b>	Suitable for all plumbing systems
<b>Certification</b>	-
<b>Fitting</b>	SS202 G1-1/4" BSP Male Thread (Outside Diameter 40.5+/-0.25mm)
<b>Packaging</b>	47.5 x 25.5 x 40.5cm /carton (60 boxes), Dimension: 11.5 x 7.5 x 7.5cm /box; Weight: 0.235Kg / box
<b>Guarantee</b>	6 months against manufacturing faults (excluding serviceable parts)
<b>Additional Information</b>	Size: 90mm tall

All Dimensions are in millimetres. The information contained on this page was correct at date of issue. Fitting dimensions are provided as a guide only. Some variation may occur due to manufacturing tolerances. We pursue a policy of continuing improvement in design and performance of our products and so reserve the right to change specifications without prior notice.

# R.T. LARGE

ESTABLISHED 1969



NO.	ITEM	QTY
1	WASTE COVER	1
2	SILICONE COVER WASHER	1
3	CLIC-CLAC SPRING	1
4	WASTE BODY	1
5	SILICONE UPPER WASHER	1
6	SILICONE BASE WASHER	1
7	BRASS LOCK NUT	1

Exploded Drawings			Material:	Assembly	Size:	A4
			(Date: D/M/Y)	Scale:	None	Issue No:
Drawn by:	Konstantine	28/06/2021				
Checked by:	Lee	28/06/2021				
Approved by:	T. K.	28/06/2021				
Drawing Name:						

All Dimensions are in millimetres. The information contained on this page was correct at date of issue. Fitting dimensions are provided as a guide only. Some variation may occur due to manufacturing tolerances. We pursue a policy of continuing improvement in design and performance of our products and so reserve the right to change specifications without prior notice.