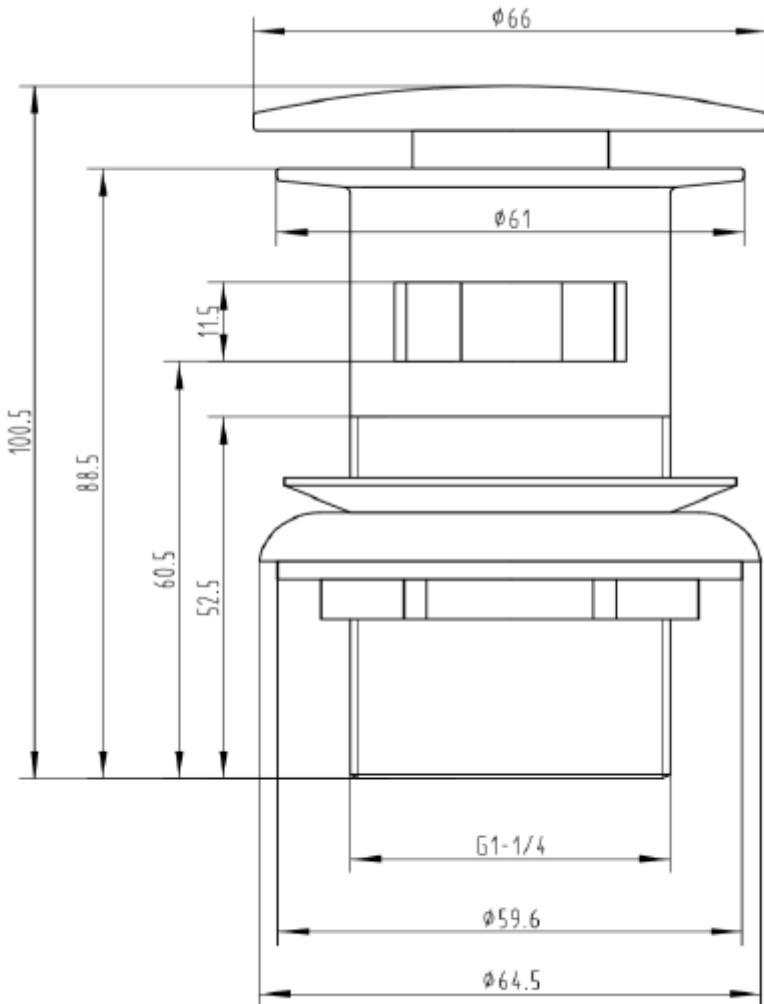


Technical Data Information

Brushed Brass Slotted Waste
AVWA92BB

R.T. LARGE

ESTABLISHED 1969



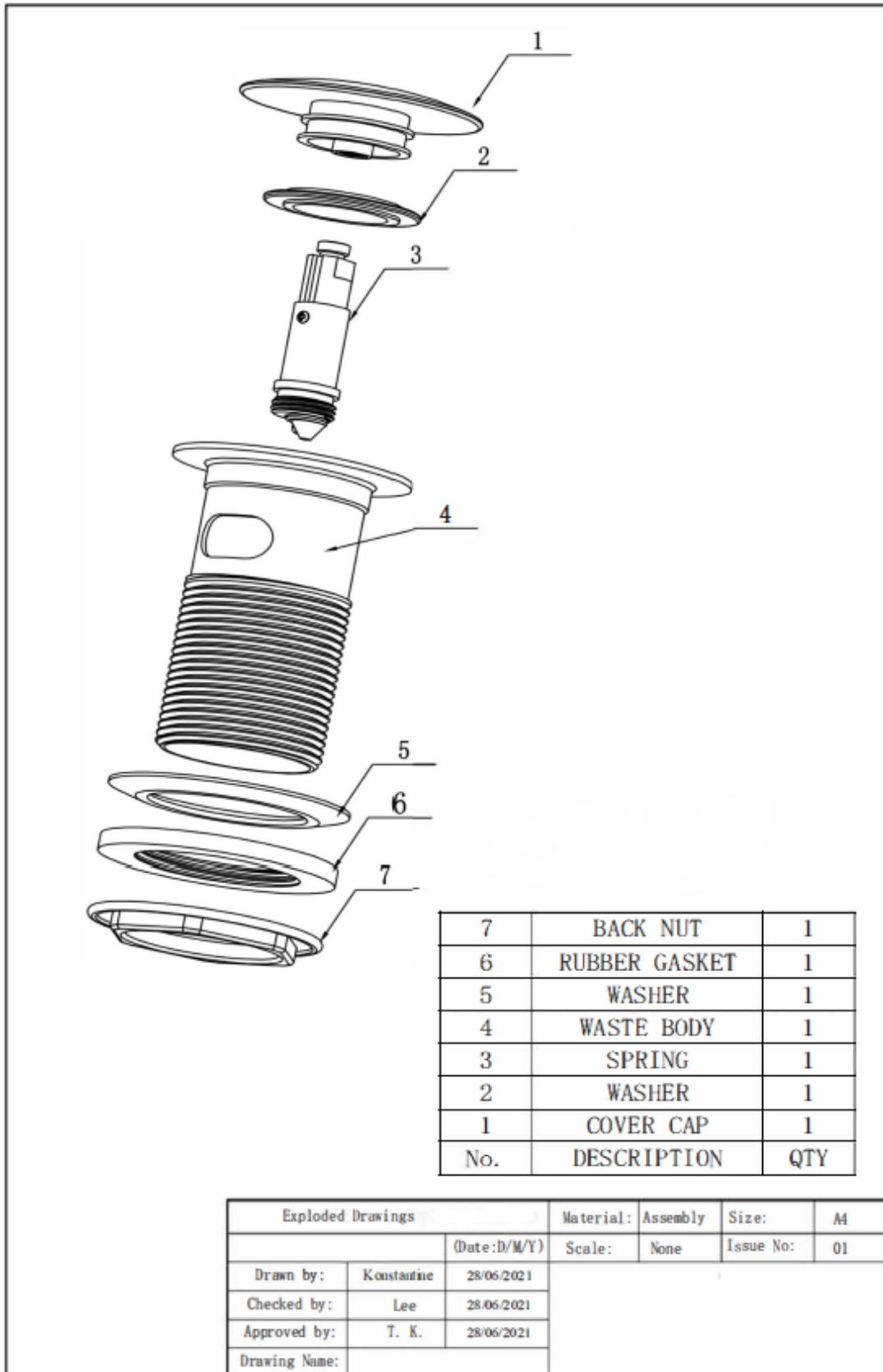
INFORMATION

Construction	SS202 Stainless steel Body; SS304 Stainless steel Cover; Brass clic-clac Spring
Finishes	Brushed Brass / PVD Finish
Product Type	Contemporary
Water Pressure	Min. 0.2 bar, Max. 5.0 bar
Plumbing Systems	Suitable for all plumbing systems
Certification	-
Fitting	SS202 G1-1/4" BSP Male (Thread size 40.5+/-0.25mm)
Packaging	47.5 x 25.5 x 40.5cm / carton (60 boxes), Dimension: 10 x 7 x 7cm / box; Weight: 0.20Kg / box
Guarantee	6 months against manufacturing faults (excluding serviceable parts)
Additional Information	Size: 90 mm tall

All Dimensions are in millimetres | All Dimensions in mm have a tolerance of ± 1 mm. The information contained on this page was correct at date of issue. Fitting dimensions are provided as a guide only. Some variation may occur due to manufacturing tolerances. We pursue a policy of continuing improvement in design and performance of our products and so reserve the right to change specifications without prior notice.

R.T. LARGE

ESTABLISHED 1969



All Dimensions are in millimetres | All Dimensions in mm have a tolerance of ± 1 mm. The information contained on this page was correct at date of issue. Fitting dimensions are provided as a guide only. Some variation may occur due to manufacturing tolerances. We pursue a policy of continuing improvement in design and performance of our products and so reserve the right to change specifications without prior notice.