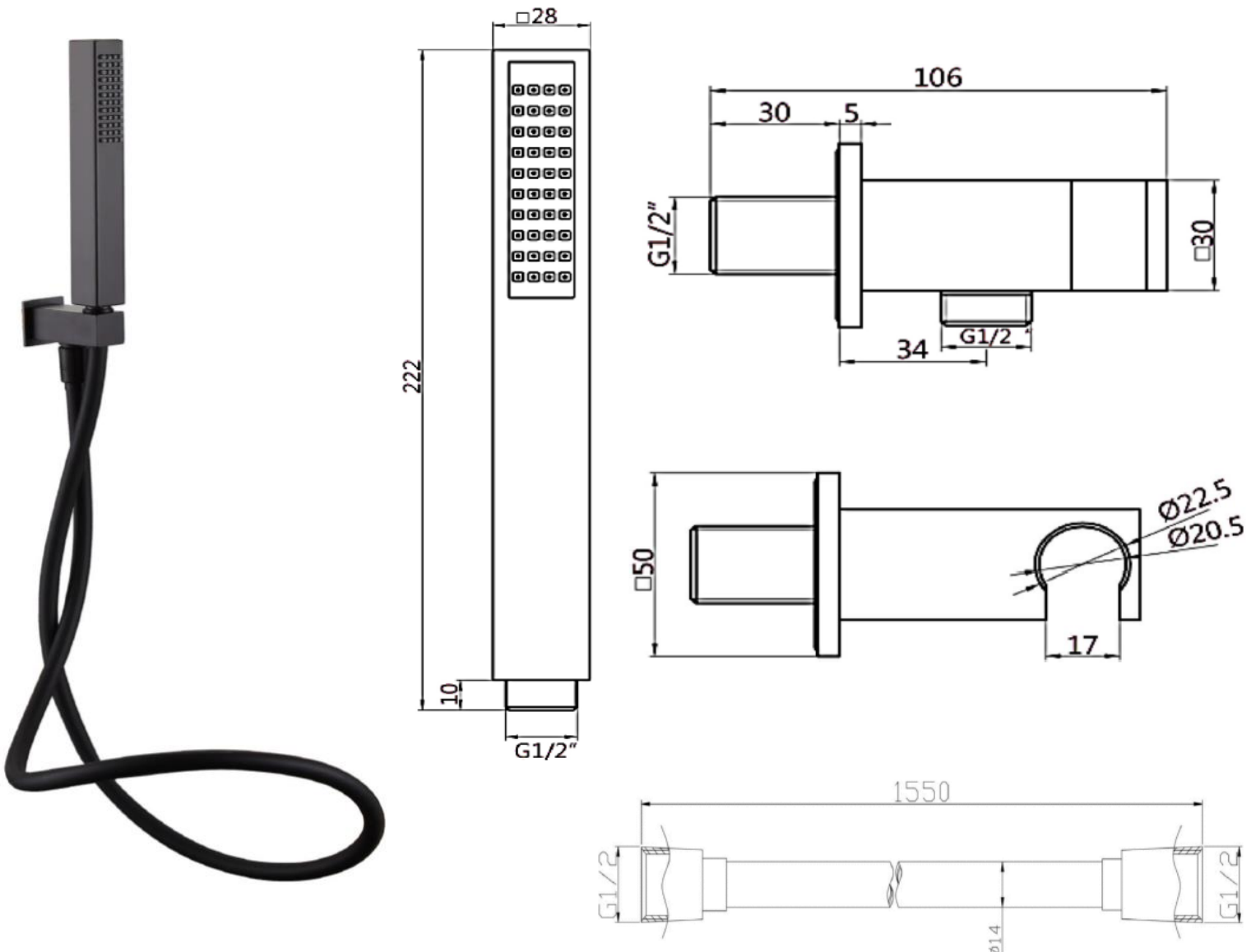


## Technical Data Information

Square Black Outlet and Parking Bracket inc. Handset & Hose  
AVWB13K

# R.T. LARGE

ESTABLISHED 1969



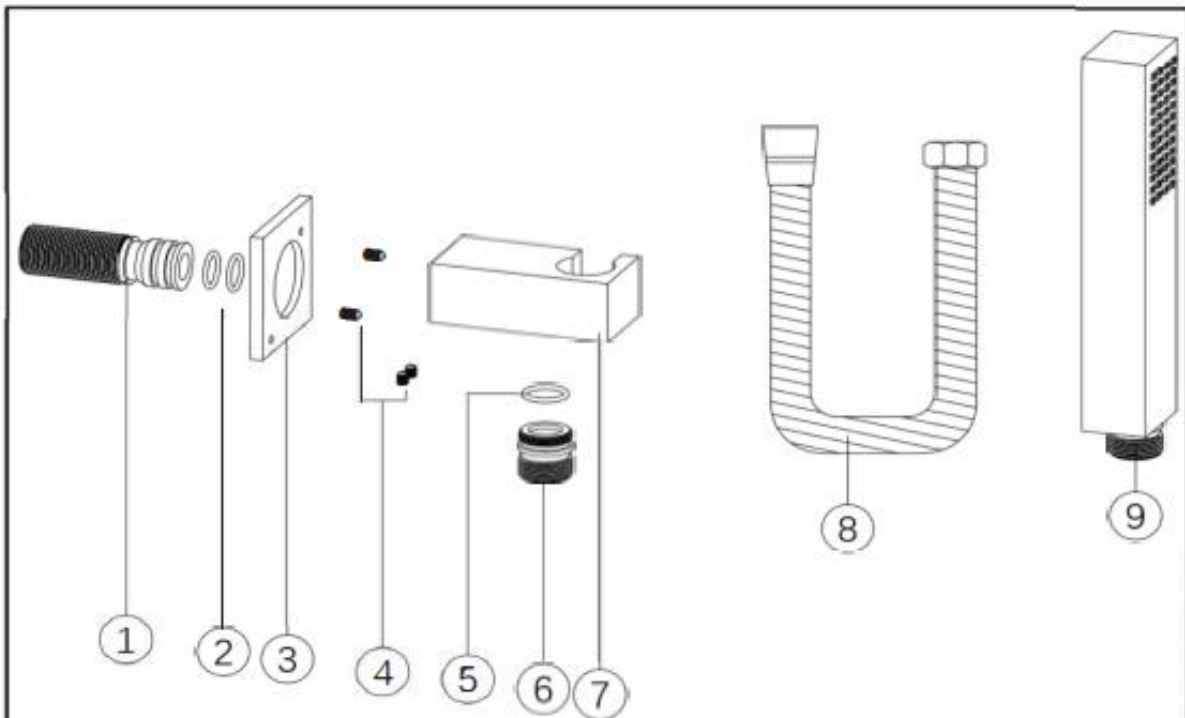
## INFORMATION

<b>Construction</b>	Brass & ABS
<b>Finishes</b>	Chrome plated to BS EN 248
<b>Product Type</b>	Contemporary
<b>Water Pressure</b>	-
<b>Plumbing Systems</b>	Suitable for all plumbing systems
<b>Standards</b>	-
<b>Certification</b>	-
<b>Packaging</b>	53.5 x 35.5 x 42cm / carton (20 boxes / carton)
<b>Guarantee</b>	1 year against manufacturing faults (excluding serviceable parts).
<b>Additional Information</b>	<ol style="list-style-type: none"> <li>1. ABS mode handset</li> <li>2. 1.5m shower hose</li> <li>3. Intergrated wall elbow</li> <li>4. Brass Wall Bracket</li> </ol>

All Dimensions are in millimetres | All Dimensions in mm have a tolerance of  $\pm 1$ mm. The information contained on this page was correct at date of issue. Fitting dimensions are provided as a guide only. Some variation may occur due to manufacturing tolerances. We pursue a policy of continuing improvement in design and performance of our products and so reserve the right to change specifications without prior notice.

# R.T. LARGE

ESTABLISHED 1969



9	HAND SHOWER	1
8	HOSE	1
7	HANDSET HOLDER	1
6	SHOWER CONNECTOR	1
5	O-RING	1
4	SCREW	4
3	BASE PLATE	1
2	O-RING	2
1	CONNECTOR	1
No.	DESCRIPTION	QTY

Exploded Drawings			Material:	Assembly	Size:	A4
(Date:D/M/Y)			Scale:	None	Issue No:	01
Drawn by:	Sherman	16/05/2016				
Checked by:	Lee	16/05/2016				
Approved by:	T. K.	16/05/2016				
Drawing Name:						

All Dimensions are in millimetres | All Dimensions in mm have a tolerance of  $\pm 1$ mm. The information contained on this page was correct at date of issue. Fitting dimensions are provided as a guide only. Some variation may occur due to manufacturing tolerances. We pursue a policy of continuing improvement in design and performance of our products and so reserve the right to change specifications without prior notice.