

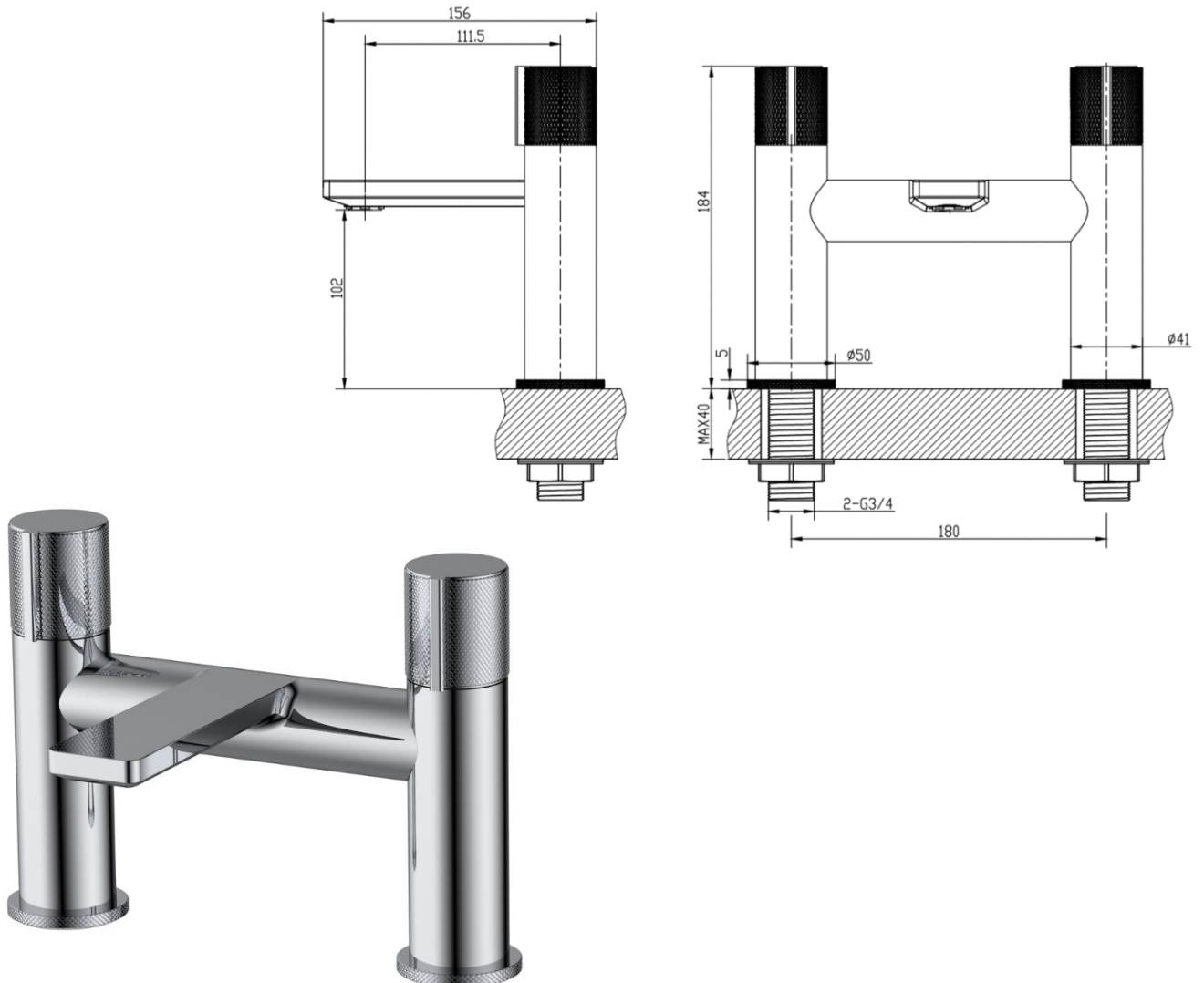
Technical Data Information

Erla Chrome Bath Filler

ERL03

R.T. LARGE

ESTABLISHED 1969



INFORMATION

Construction

Brass Body (CuZn40Pb2), EN CW617N (equivalent to BS CZ122)

Finishes

Zinc alloy Handle

Product Type

Chrome (Ni : 8-12um, Cr : 0.25-0.3um)

Water Pressure

Contemporary

Plumbing Systems

Min. 0.5 bar, Max. 6.0 bar

Standards

Suitable for all plumbing systems

Certification

Complies with BS5412, BS EN200

Cartridge

-

Aerator

1/4 Turn 3/4" Ceramic Disc Valves

Fitting

Spout Aerator

Packaging

Brass G3/4" BSP tails

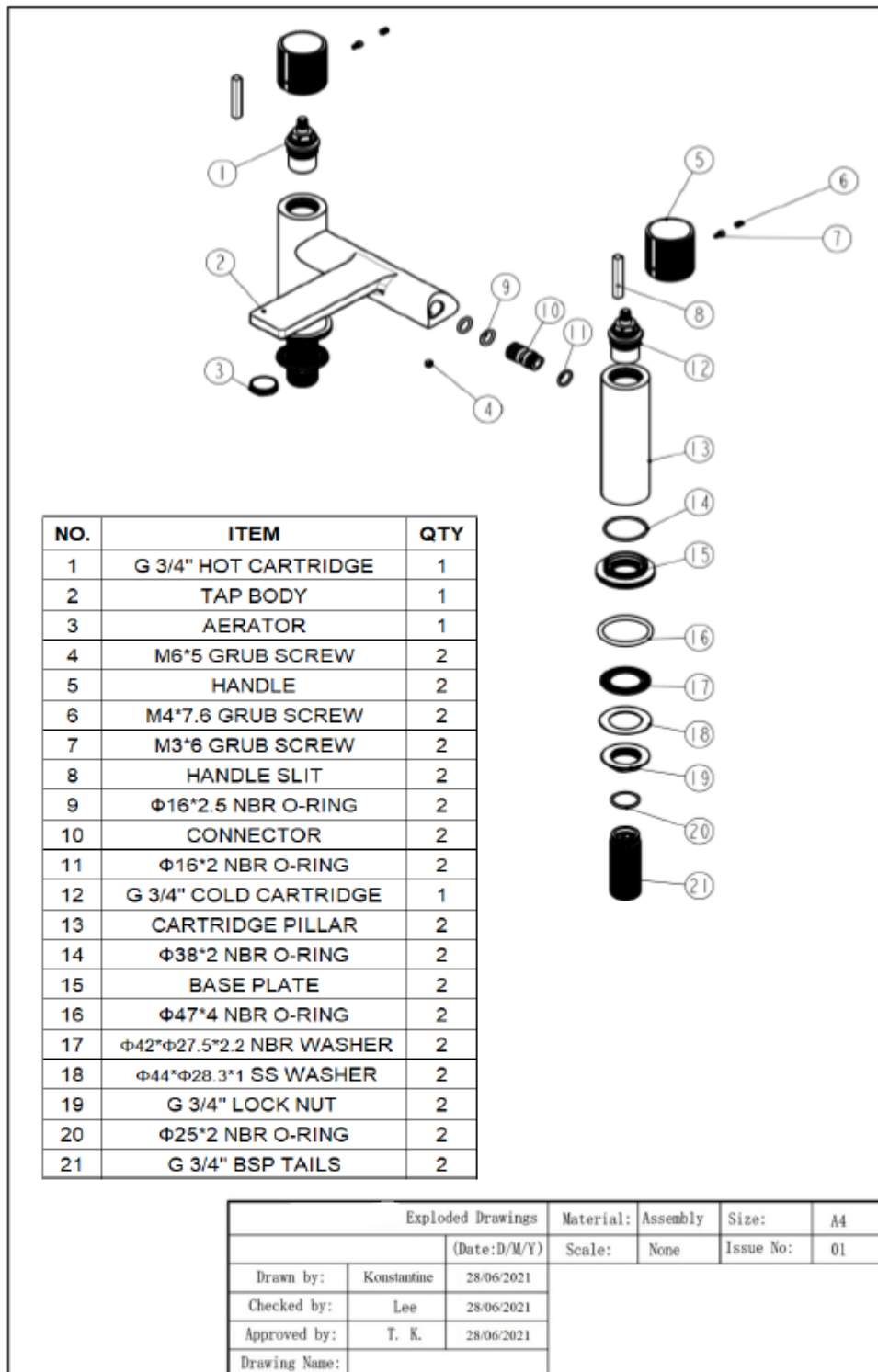
Guarantee

50 x 29.5 x 38cm / Carton (4 boxes), Dimension: 28 x 24 x 18cm / box
Weight: 2.70Kg / box
10 years against manufacturing faults (excluding serviceable parts)

All Dimensions are in millimetres | All Dimensions in mm have a tolerance of ± 1 mm. The information contained on this page was correct at date of issue. Fitting dimensions are provided as a guide only. Some variation may occur due to manufacturing tolerances. We pursue a policy of continuing improvement in design and performance of our products and so reserve the right to change specifications without prior notice.

R.T. LARGE

ESTABLISHED 1969



Flow Rates (Litres per minute)

System Pressure	0.1 Bar	0.2 Bar	0.3 Bar	0.5 Bar	1.0 Bar	1.5 Bar	2.0 Bar	3.0 Bar	4.0 Bar	5.0 Bar
	7.5	10.0	12.0	15.4	21.6	26.4	30.5	37.4	43.3	-

All Dimensions are in millimetres | All Dimensions in mm have a tolerance of ± 1 mm. The information contained on this page was correct at date of issue. Fitting dimensions are provided as a guide only. Some variation may occur due to manufacturing tolerances. We pursue a policy of continuing improvement in design and performance of our products and so reserve the right to change specifications without prior notice.