

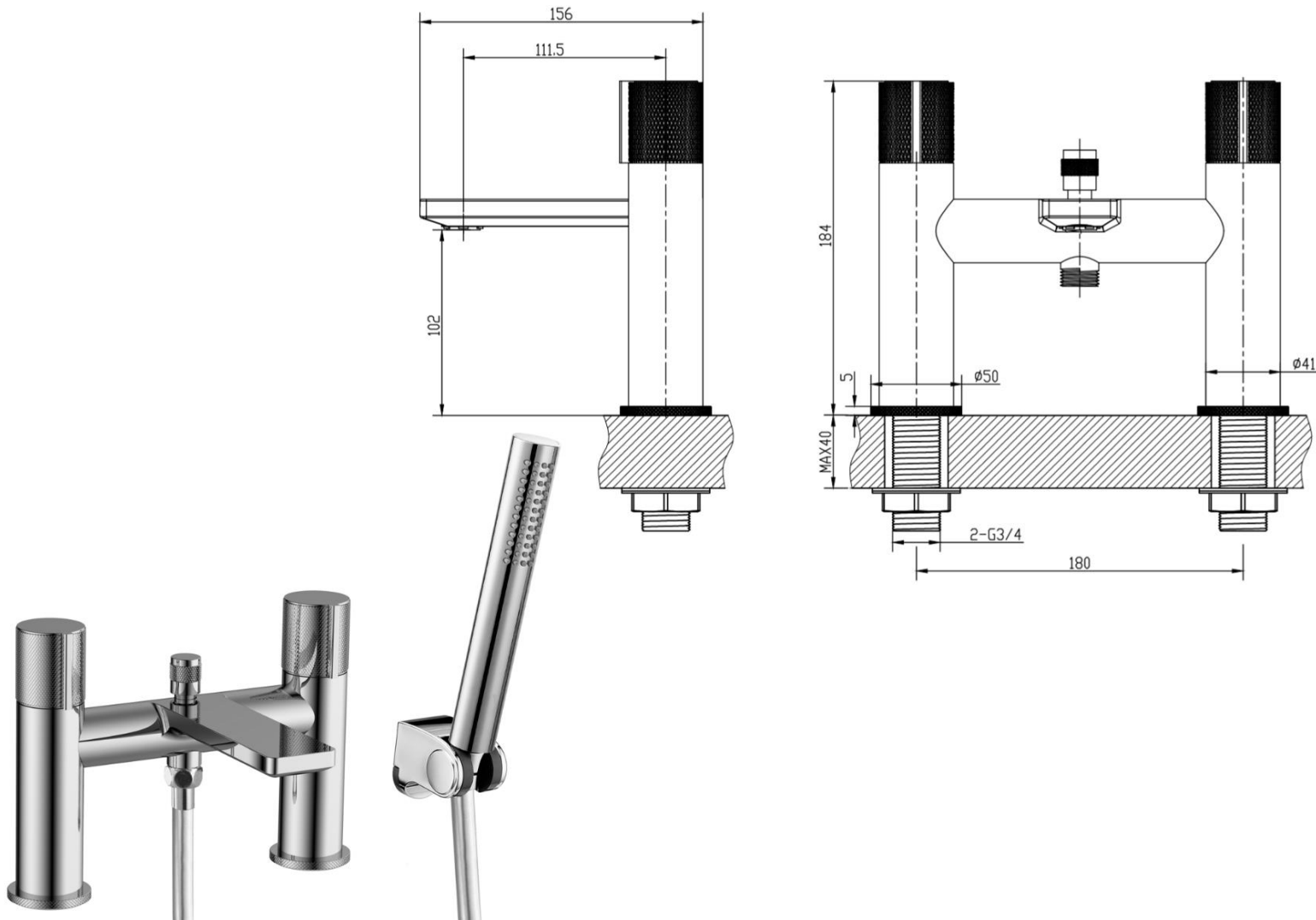
Technical Data Information

Erla Chrome Bath Shower Mixer

ERL04

R.T. LARGE

ESTABLISHED 1969



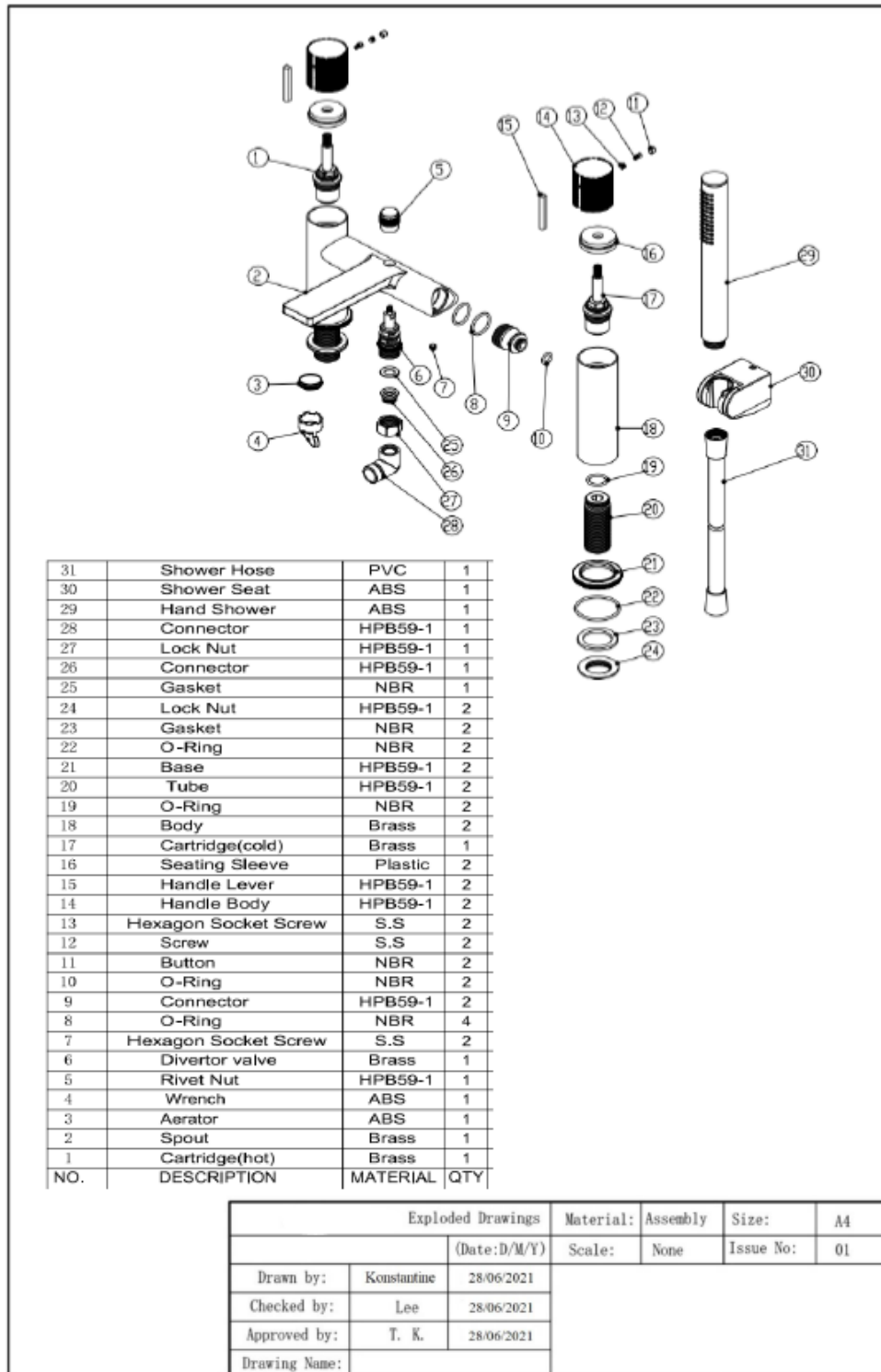
INFORMATION

Construction	Brass Body (CuZn40Pb2), EN CW617N (equivalent to BS CZ122) Zinc alloy Handle
Finishes	Chrome (Ni : 8-12um, Cr : 0.25-0.3um)
Product Type	Contemporary
Water Pressure	Min. 0.5 bar, Max. 6.0 bar
Plumbing Systems	Suitable for all plumbing systems
Standards	Complies with BS5412, BS EN200
Certification	-
Cartridge	1/4 Turn 3/4" Ceramic Disc Valves
Aerator	Spout Aerator
Fitting	Brass G ³ / ₄ " BSP tails
Packaging	53 x 38 x 37cm / Carton (4 boxes), Dimension: 28 x 24 x 18cm / box; Weight: 3.75Kg / box
Guarantee	10 years against manufacturing faults (excluding serviceable parts)
Additional Information	Supplied with Chrome , ABS Shower handset & holder and Smooth PVC , 1.5m Shower hose

All Dimensions are in millimetres | All Dimensions in mm have a tolerance of ± 1 mm. The information contained on this page was correct at date of issue. Fitting dimensions are provided as a guide only. Some variation may occur due to manufacturing tolerances. We pursue a policy of continuing improvement in design and performance of our products and so reserve the right to change specifications without prior notice.

R.T. LARGE

ESTABLISHED 1969



Flow Rates (Litres per minute)

System Pressure	0.1 Bar	0.2 Bar	0.3 Bar	0.5 Bar	1.0 Bar	1.5 Bar	2.0 Bar	3.0 Bar	4.0 Bar	5.0 Bar
ERL04 Spout	6.35	8.50	10.24	12.95	18.27	22.39	25.86	31.39	36.54	-
ERL04 Handset	7.90	10.47	12.85	16.40	22.42	27.60	31.27	38.34	44.24	-

All Dimensions are in millimetres | All Dimensions in mm have a tolerance of ± 1 mm. The information contained on this page was correct at date of issue. Fitting dimensions are provided as a guide only. Some variation may occur due to manufacturing tolerances. We pursue a policy of continuing improvement in design and performance of our products and so reserve the right to change specifications without prior notice.