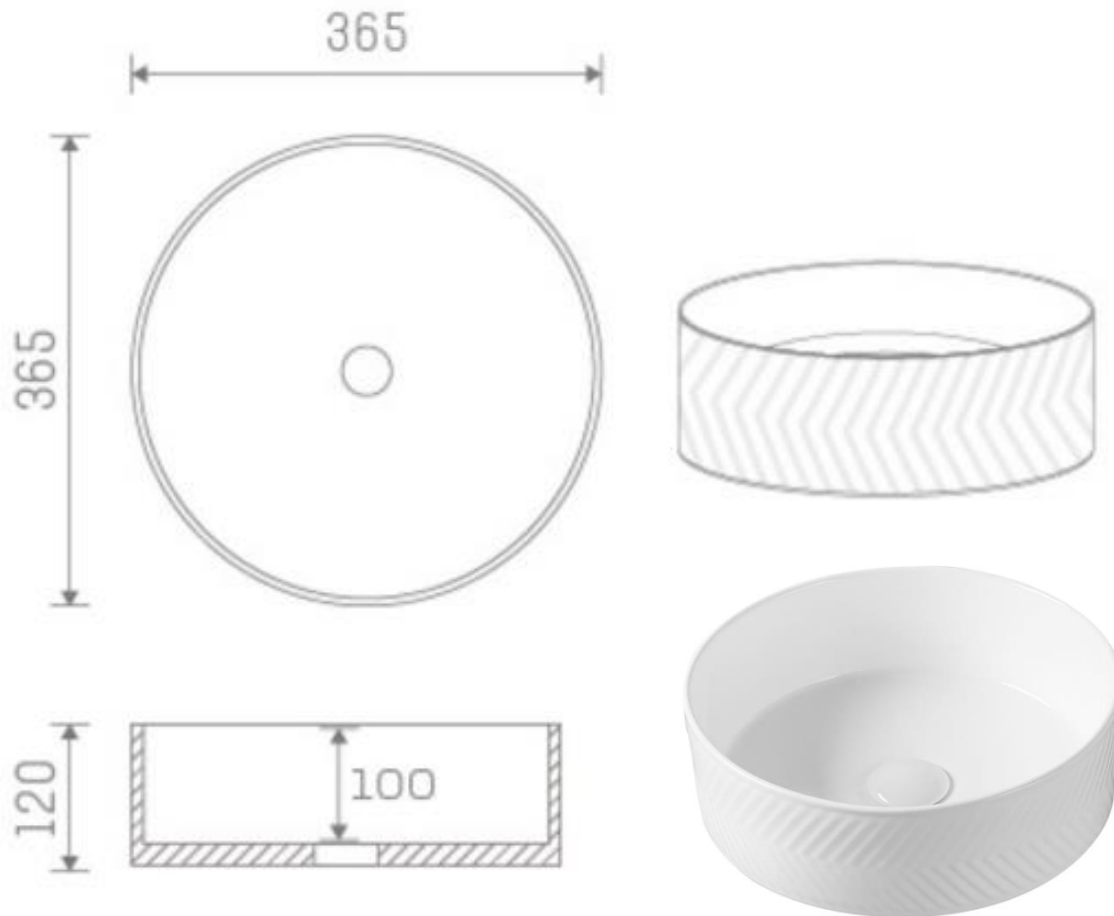


## Technical Data Information

Insignia Round Vessel Basin 365mm  
INS36BAS

# R.T. LARGE

ESTABLISHED 1969



## INFORMATION

- **Tap Hole:** No Tapholes.
- **Overflow Inc:** No.
- **Chain Stay Hole:** No.
- **Inner Bowl Depth:** 100mm.
- **Overflow Cover:** No.
- **Colour:** White.
- **Waste Type Required:** None required.

All Dimensions are in millimetres. | All Dimensions in mm have a tolerance of  $\pm 5$ mm The information contained on this page is correct at date of issue. Fitting dimensions are provided as a guide only. Some variation may occur due to manufacturing tolerances. We pursue a policy of continuing improvement in design and performance of our products and so reserve the right to change specifications without prior notice.