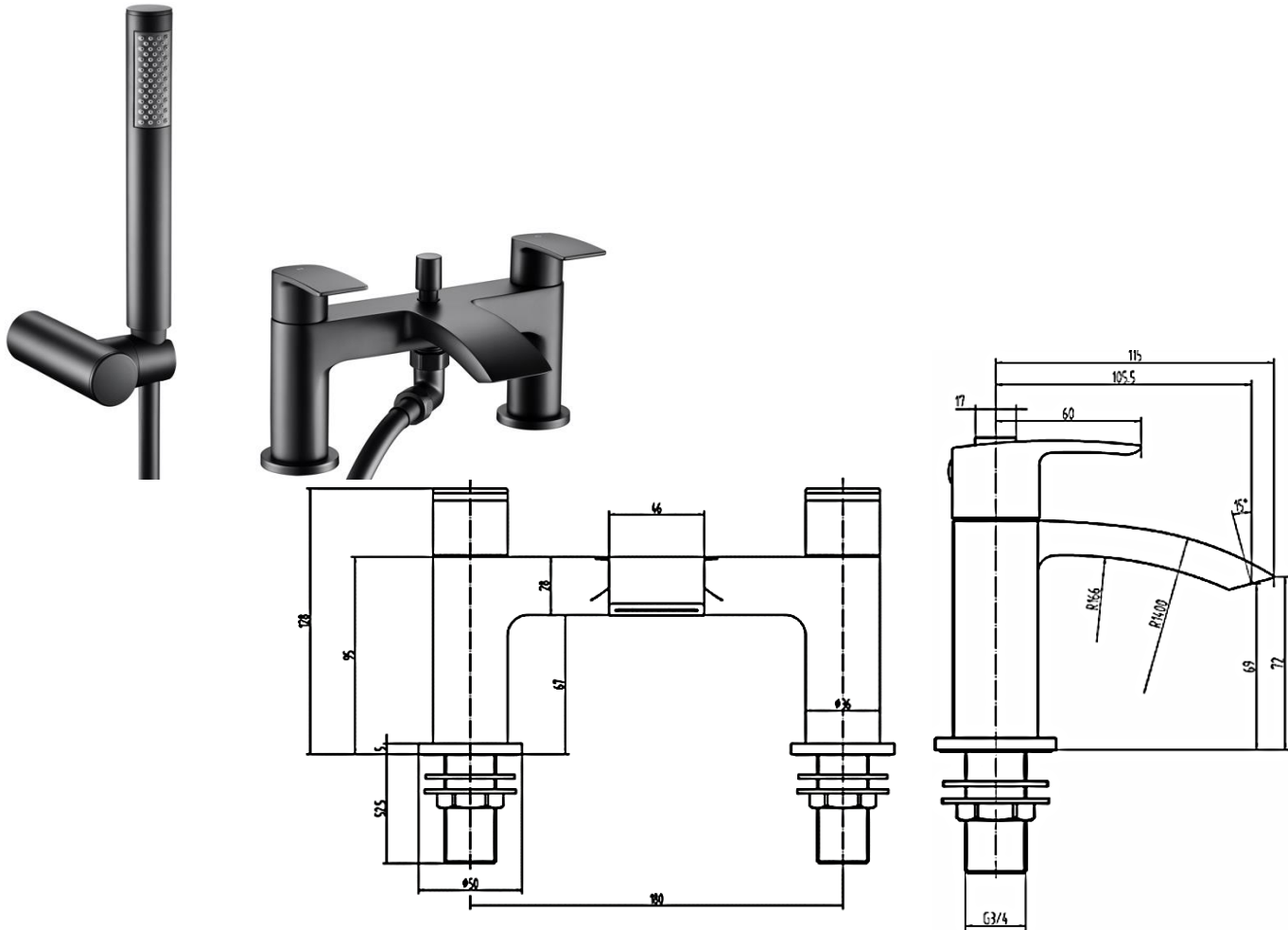


## Technical Data Information

Shade Black Bath Shower Mixer  
TSHA04K

# R.T. LARGE

ESTABLISHED 1969



## INFORMATION

<b>Construction</b>	Brass Body (CuZn40Pb2), EN CW617N (equivalent to BS CZ122) Zinc-alloy Handles
<b>Finishes</b>	Matt Black
<b>Product Type</b>	Contemporary
<b>Water Pressure</b>	Min. 0.5 bar, Max. 6.0 bar
<b>Plumbing Systems</b>	Suitable for all plumbing systems, Hot and Cold water pressure preferably balanced
<b>Standards</b>	Complies with BS5412, BS EN200
<b>Certification</b>	WRAS approved and certified
<b>Cartridge</b>	1/4 Turn 3/4" Ceramic disc valves
<b>Net Weight (Tap only)</b>	2100g
<b>Aerator</b>	Laminar spout
<b>Fitting</b>	Brass G <sup>3</sup> / <sub>4</sub> " BSP tails
<b>Packaging</b>	48.5 x 27 x 35.5cm / carton (8 boxes), Dimension : 26 x 23.5 x 17cm / box; Weight : 3.00Kg / box
<b>Guarantee</b>	5 years against manufacturing faults (excluding serviceable parts)
<b>Additional Information</b>	1. Shower handset : Matt black , ABS , single mode 2. Handset holder : Matt black , ABS , wall mounted 3. Shower hose : Matt black , smooth PVC , 1.5m , G1/2" BSP connections

All Dimensions are in millimetres. The information contained on this page was correct at date of issue. Fitting dimensions are provided as a guide only. Some variation may occur due to manufacturing tolerances. We pursue a policy of continuing improvement in design and performance of our products and so reserve the right to change specifications without prior notice.

# R.T. LARGE

ESTABLISHED 1969

## Bath Shower Mixer

NO.	CODE	DESCRIPTION	QTY
1	SB04-01	HANDLE	2
2	SB04-02	M5'S SCREW	2
3	SB04-03	INDICE	2
4	SB04-04	M4'S SCREW	2
5	SB04-05	PVC CORE	2
6	SB04-06	3/4" QUARTER TURN CARTRIDGE	2
7	SB04-07	TAP BODY	1
8	SB04-08	50 BASE PLATE	2
9	SB04-09	46"38"2.5 WASHER	2
10	SB04-10	24"24 "O" RING	2
11	SB04-11	3/4" BSP TAILS	2
12	SB04-12	3/4" WASHER	2
13	SB04-13	BACK NUT	2
14	SB04-14	DIVERTOR	1
15	SB04-15	DIVERTOR CONNECTOR	1
16	SB04-16	12"2 "O" RING	1
17	SB04-17	SPRING	1
18	SB04-18	7"1.6 "O" RING	2
19	SB04-19	Diverter STEM	1
20	SB04-20	20"2 "O" RING	1
21	SB04-21	CONNECTOR	1
22	SB04-22	18"12"2 WASHER	1
23	SB04-23	FIXING NUT	1
24	SB04-24	16"2 "O" RING	1
25	SB04-25	FIXING CONNECTOR	1
26	SB04-26	HOSE CONNECTOR	1
27	SB04-27	1.9M SHOWER HOSE	1
28	SB04-28	SHOWER HOLDER	1
29	SB04-29	HAND SHOWER	1

Exploded Drawings			Material:	Assembly	Size:	A4
(Date:D/M/Y)			Scale:	None	Issue No:	01
Drawn by:	Konstantine	28.06/2021				
Checked by:	Lee	28.06/2021				
Approved by:	T. K.	28.06/2021				
Drawing Name:						



### Flow Rates (Litres per minute)

System Pressure	0.1 Bar	0.2 Bar	0.3 Bar	0.5 Bar	1.0 Bar	1.5 Bar	2.0 Bar	3.0 Bar	4.0 Bar	5.0 Bar
	9.5	11.2	-	16.1	21.9	26.3	30.2	36.0	-	-

All Dimensions are in millimetres. The information contained on this page was correct at date of issue. Fitting dimensions are provided as a guide only. Some variation may occur due to manufacturing tolerances. We pursue a policy of continuing improvement in design and performance of our products and so reserve the right to change specifications without prior notice.