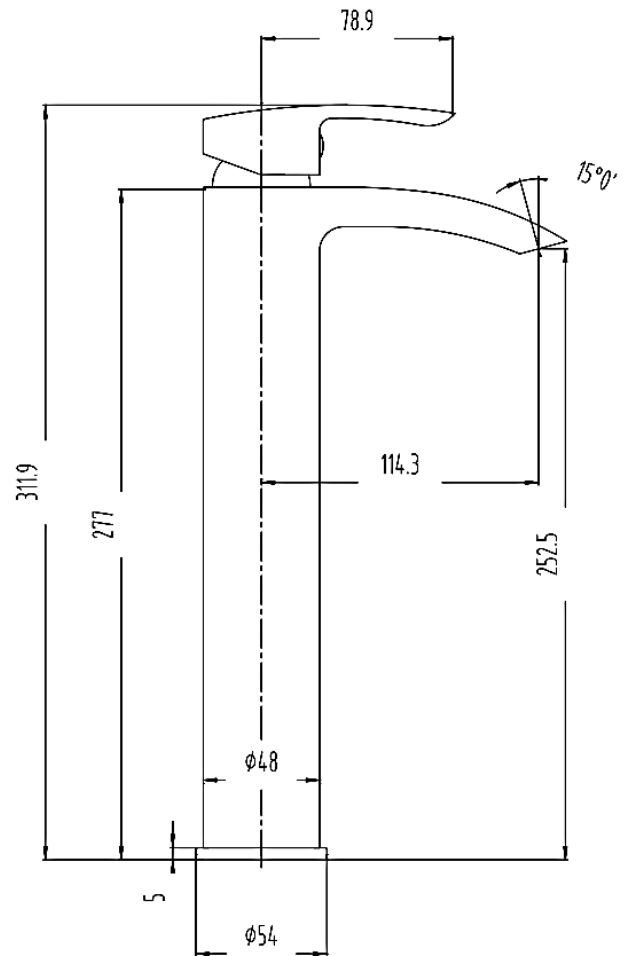


Technical Data Information

Shade Black Tall Mono Basin Mixer
TSHA08K

R.T. LARGE

ESTABLISHED 1969



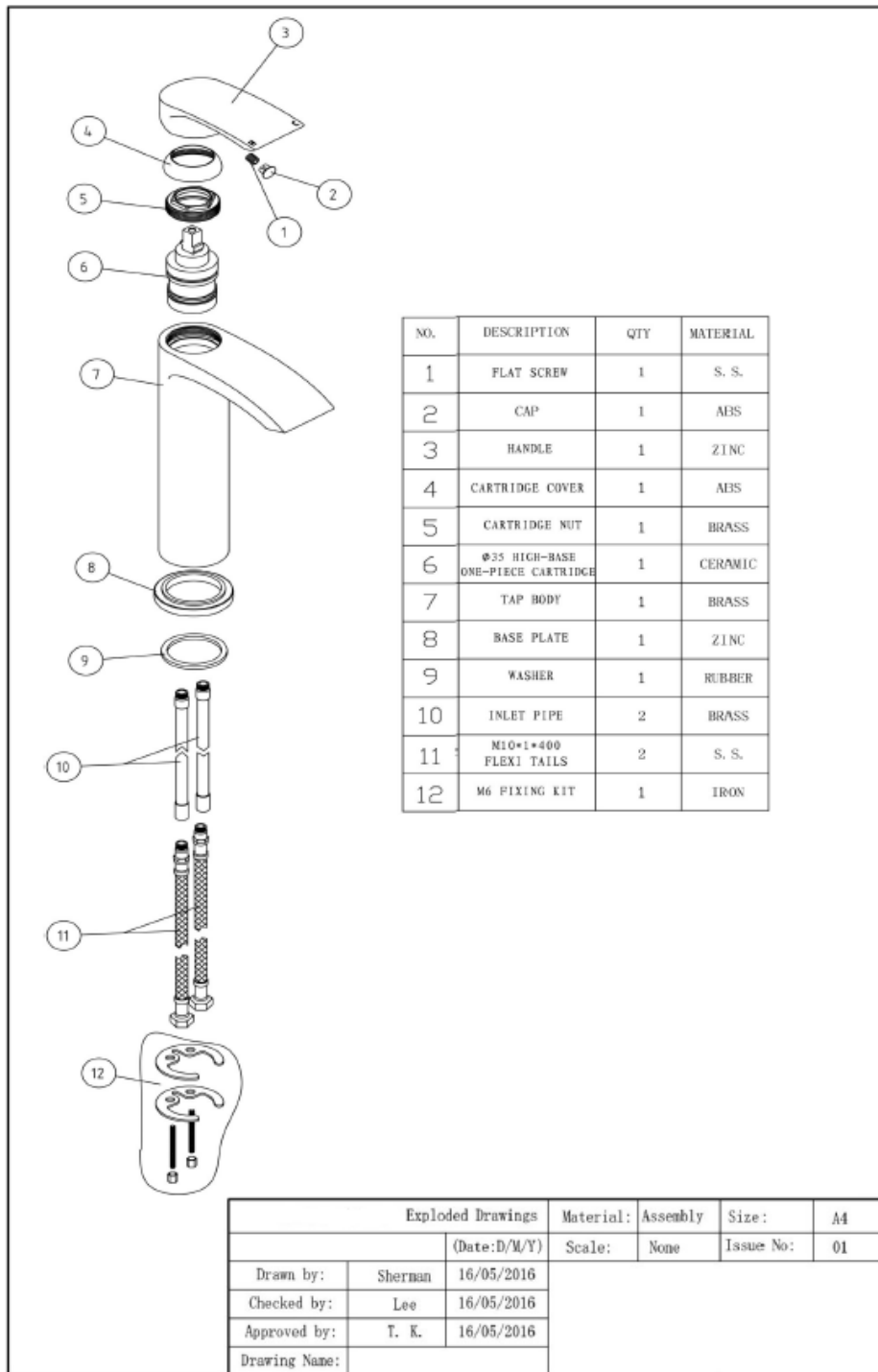
INFORMATION

Construction	Brass Body CuZn40Pb2, EN CW617N (equivalent to BS CZ122) Zinc alloy Handle
Finishes	Black Matt/ Electroplating Finish
Product Type	Contemporary
Water Pressure	Min. 0.2 bar, Max. 6.0 bar
Plumbing Systems	Suitable for all plumbing systems
Standards	Complies with BS6920, BS EN200
Certification	WRAS approved and certified
Cartridge	35mm Ceramic Disc Cartridge
Aerator	Laminar
Fitting	M10 x 350mm ½" BSP Female Flexi Tails
Packaging	41.5 x 35 x 36cm / carton (10 boxes / carton)
Guarantee	5 years against manufacturing faults (excluding serviceable parts)
Additional Information	

All Dimensions are in millimetres. The information contained on this page was correct at date of issue. Fitting dimensions are provided as a guide only. Some variation may occur due to manufacturing tolerances. We pursue a policy of continuing improvement in design and performance of our products and so reserve the right to change specifications without prior notice.

R.T. LARGE

ESTABLISHED 1969



Flow Rates (Litres per minute)

System Pressure	0.1 Bar	0.2 Bar	0.3 Bar	0.5 Bar	1.0 Bar	1.5 Bar	2.0 Bar	3.0 Bar	4.0 Bar	5.0 Bar
	3.8	4.9	-	7.5	10.6	13.0	15.3	18.2	-	-

All Dimensions are in millimetres. The information contained on this page was correct at date of issue. Fitting dimensions are provided as a guide only. Some variation may occur due to manufacturing tolerances. We pursue a policy of continuing improvement in design and performance of our products and so reserve the right to change specifications without prior notice.