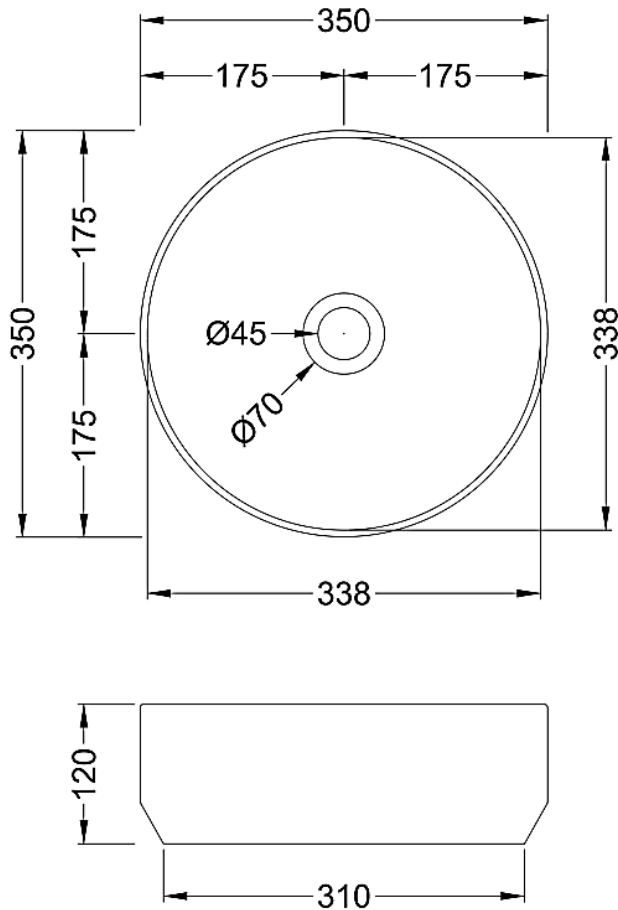


Technical Data Information

Round Vessel
UNBVXXX

R.T. LARGE

ESTABLISHED 1969



INFORMATION

- **Tap Hole:** No Tapholes.
- **Template:** Not Required.
- **Overflow Inc:** No.
- **Chain Stay Hole:** No.
- **Inner Bowl Depth:** 102mm.
- **Overflow Cover:** No.
- **Fixings Included:** No.
- **Colour:** Matt White.
- **Waste Type Required:** None required.

All Dimensions are in millimetres. | All Dimensions in mm have a tolerance of $\pm 5\text{mm}$ The information contained on this page was correct at date of issue. Fitting dimensions are provided as a guide only. Some variation may occur due to manufacturing tolerances. We pursue a policy of continuing improvement in design and performance of our products and so reserve the right to change specifications without prior notice.